

# Table of Contents

## BRAKES

AIR DRYER ASSY .....	2
AD-9.....	2
6 CHANNEL, ABS .....	6
OPTIONAL EQUIPMENT .....	8
BRACKET ASSY.....	8
STOPLIGHTS & PARKING BRAKE SWITCH .....	8
HUB COVERS .....	10
RESERVOIR ASSY .....	12
ACCESSORY .....	12
FRONT.....	14
6 CHANNEL, ABS 45 FT.....	14
FROM CSN 10/20/03 TO CSN 10/17/04 .....	14
FROM CSN 10/18/04.....	16
FRONT & ACCESSORY.....	18
6 CHANNEL, ABS .....	18
REAR.....	20
6 CHANNEL, ABS .....	22
6 CHANNEL, ABS 45 FT.....	24
FROM CSN 10/20/03.....	24
WET TANK .....	26
6 CHANNEL, ABS 45 FT.....	26
FROM CSN 10/20/03 TO CSN 10/1/04 .....	26
FROM CSN 10/18/04.....	28
ACCESSORY .....	30
6 CHANNEL, ABS .....	32
FROM CSN 07/13/03.....	34
AIR BRAKE SYSTEM.....	36
TO CSN 07/13/03 .....	36
6 CHANNEL, ABS .....	40
WITH FEATURE 40191-01 .....	40
TO CSN 07/17/05.....	40
WITH FEATURE 40191-02 .....	44
FROM CSN 07/17/03.....	44
FROM CSN 2/23/04 TO CSN 10/18/04 .....	48
FROM CSN 10/18/04.....	52
ACCESSORIES .....	56
VALVE ASSY .....	58
BRAKE TREADLE & PEDAL.....	58
6 CHANNEL, ABS .....	58
DOUBLE CHECK.....	60
FROM CSN 03/06/00.....	60
GOVERNOR.....	62
MANIFOLD.....	63
FRONT.....	63
REAR.....	65
REAR, AIR BRAKE.....	67
MODULATOR.....	68
6 CHANNEL, ABS, REAR .....	68
ABS, REAR .....	70

PARKING BRAKE.....	71
6 CHANNEL, ABS.....	72
FROM CSN 01/22/01.....	72
QUICK RELEASE.....	74
WITH R12 RELAY .....	74
SPRING BRAKE.....	78
6 CHANNEL, ABS.....	78
FROM CSN 03/06/00.....	78
WHEEL END COMPONENTS.....	80
FRONT AND REAR, ALUMN WHEELS .....	80
CALIPER ASSY AIR DISC DX225 .....	80
FRONT, ALUMN WHEELS.....	82
REAR.....	84
ALUMN WHEELS.....	84
TAG AXLE .....	92
ALUMN WHEELS.....	92
DEARATION TANK.....	94
To CSN 02/29/04.....	94
FROM CSN 01/15/04 TO 02/22/04.....	95
FEATURE 40192-02.....	96
To CSN 02/20/04.....	96
C13.....	98
FEATURE 40192-03.....	98
To CSN 02/29/04.....	98
CAT C13, 525 HP, ALUMN.....	100
FEATURE 40192-04.....	100
To CSN 02/22/04.....	100
FROM CSN 02/23/04.....	102

## COOLING

ENGINE.....	104
CAT C13 .....	104
COOLER AND FAN ASSY.....	112
ISL.....	114

## DRIVELINE

SPL170.....	118
SPL250.....	119

## ENGINE TRIM

AIR INTAKE.....	120
CAT C13 .....	120
FEATURE 40192-03, -04.....	120
To CSN 04/10/05.....	120
FROM CSN 04/11/05.....	122
ISL.....	124
ISL03 .....	126
ALTERNATOR.....	128
CAT C12 .....	128
ENGINE BLOCK HEATER.....	130
ENGINE TRIM .....	132
C13.....	132
FEATURE 40192-03, -04.....	132

ISL .....	136
FEATURE 40191-01 .....	136
ISL03 .....	140
FEATURE 40191-02 .....	140
INSTALLATION .....	144
ENGINE, ISX .....	144

## EXHAUST

CAT C12 .....	146
CAT C13 .....	150
TOWER WITH LOCK NOTCH .....	154
CUMMINS ISL .....	156

## ELECTRICAL

CABLES .....	160
INSTALLATION .....	160
CHASSIS ELECTRICAL CENTER.....	164
DRIVER'S ARM CONSOLE .....	166
DRIVER'S LUGGAGE COMPARTMENT.....	168
PANEL ASSEMBLIES.....	170
CHASSIS, ELECTRICAL CENTER.....	170
FRONT MULTIPLEX .....	172
PDU, REAR.....	176
INTERMEDIATE PANEL ASSY .....	176
CUMMINS .....	176
To CSN 02/16/03.....	176
FROM CSN 02/17/03.....	178
POWER CORD REEL BOX .....	180
FEATURE 38112-07 .....	180
REAR CONTROL BOX.....	182
FROM CSN 02/13/03.....	182

## FRAME

FRAME COMPONENTS .....	184
FRAME COMPONENT INSTALLATION.....	186
FRAME TO LUGGAGE BAY .....	190
FRONT ASSY .....	196
INST, FRONT BASKET TO CHASSIS .....	196
LUGGAGE BAY.....	198

## FUEL

CAT .....	200
CHART FUEL SENDERS .....	207
CUMMINS .....	212
FUEL AND WATER SEPARATOR.....	216
FILTER ASSY .....	216
To CSN 02/22/04 .....	216
RACOR 120R.....	218
RACOR 490R.....	220
LP TANK .....	222
To CSN 05/27/02 .....	222
FROM CSN 05/28/02 .....	226
COMPARTMENT INSTALLATION .....	230
FROM CSN 05/28/02 .....	230

PLUMBING.....	232
To CSN 05/27/02.....	232
FROM CSN 05/28/02.....	234
REGULATOR COVER.....	236

## INSTRUMENTS

PANEL.....	238
To CSN 04/13/03.....	238
WITH BLACK BEZEL.....	242
FROM CSN 04/14/03.....	242
WITH GOLD BEZEL.....	246
FROM CSN 04/14/03.....	246

## STEERING

COLUMN.....	250
To CSN 10/19/03.....	250
EXTERNAL COMPONENTS.....	252
INTERNAL COMPONENTS.....	254
SMART WHEEL.....	256
GEAR.....	258
SYSTEM.....	262

## SUSPENSION

AIR.....	266
TAG AXLE.....	266
ASSEMBLY.....	268
FRONT AND REAR PLUMBING.....	272
INSTALLATION.....	274
DRIVE AXLE.....	274
STEER AXLE.....	276
LEVELING JACKS.....	278
INSTALLATION STABILIZING SYSTEM.....	278

## TRANSMISSION

AUTOMATIC, COMPONENTS.....	282
300MH.....	282
SPL 250.....	286
FEATURE 40192-01, 02, 40190-01.....	286
SPL 250, C13.....	290
FEATURE 40192-03, 02, 40190-04.....	290

## HYDRAULIC SYSTEM

C13.....	294
FILTER ASSY.....	298
MODULE ASSY, SINGLE FAN.....	300
MOTOR ASSY, HYDRAULIC FAN.....	302
PUMP ASSY.....	303
RESERVOIR & VALVE ASSY.....	304
ISL.....	306
MOTOR ASSY, HYDRAULIC.....	310
RESERVOIR & VALVE ASSY.....	312

## EXTERIOR

CENTER.....	314
COMM ACCESS.....	314
SIDE ENGINE DOORS & WHEEL COVERS, INSTALLATION.....	316
SIDE GRILLES & REFLECTORS, INSTALLATION.....	318
SIDE LOWER PANELS & COMPARTMENT DOORS.....	319
FRONT.....	320
GENERATOR DOOR, INSTALLATION.....	320
REAR.....	322
ASSY.....	322
ENGINE COMPARTMENT DOOR.....	324
ENGINE DOOR & BUMPER.....	326
VIEWED FROM INSIDE.....	330

## STRUCTURE

CENTER.....	334
LH SIDE.....	334
RH SIDE.....	335
FLOOR.....	336
PLYWOOD FLOOR INSTALLATION.....	336
FRONT.....	338
3708.....	338
4400.....	342
REAR.....	345
REAR DAVENPORT.....	345
ROOF.....	346
INSTALLATION.....	346

## INTERIOR

CENTER.....	348
CEILING PANELS.....	348
SIDE WALLS.....	350
SUBCEILING PANELS.....	352
FRONT DASH.....	353
REAR DAVENPORT.....	354

## STEPWELLS & HANDRAILS

STEPWELL.....	358
FRONT DOOR.....	358

## DOORS

ENTRANCE.....	360
DOOR STOP.....	360

## WINDOWS

WINDOWS.....	362
--------------	-----

## HEATERS

AIR CONDITIONING .....	363
DUCTING .....	364
DEFROSTER .....	364
AUXILLARY .....	366
BAY .....	366
HYDRONIC HEATING .....	368
DBL SLD INSTALLATION .....	368
FLOOR PLAN A & B INSTALLATION .....	372
HURRICANE ASSY, FITTINGS .....	376
HURRICANE INSTALLATION .....	378
HYDRONIC MANIFOLDS .....	380
ASSEMBLY .....	380
CONVECTOR SUPPLY W/ FITTINGS .....	380
HEAT EXCHANGER .....	382
RETURN W/ FITTINGS .....	384
SUPPLY W/ FITTINGS .....	386
HURRICANE .....	388
INSTALLATION .....	390
WEBASTO 230 .....	394
HEATER BREAKDOWN .....	394
HEATER INSTALLATION .....	396

## WINDSHIELD WIPERS

WIPERS & MOTOR .....	398
----------------------	-----

## LIGHTS & LENSES

HEADLAMP & LIGHTS .....	400
HIGH & LOW BEAM .....	400
90MM .....	400
HEADLIGHTS .....	402
HEADLIGHTS & TURN LIGHTS .....	410

## EMERGENCY EQUIPMENT

FIRE EXTINGUISHER & TRIANGLE WARNING KIT .....	412
------------------------------------------------	-----

## COMPARTMENTS

BATTERY .....	414
DOOR .....	414
TRAY .....	418
GENERATOR DOOR INSTALLATION .....	420
LUGGAGE .....	422
DOOR .....	422
48 INCH RH .....	422
DOOR PANTOGRAPH INSTALLATION 1 .....	424
HINGED .....	428
INSTALLATION, 48 INCH RH .....	432
LH FRONT .....	434
PANTOGRAPH .....	438
DOORS & EXTERIOR SIDE PANELS .....	444
DRIVER .....	446
INSTALLATION .....	448
FRAME TO BAY .....	450

## ACCESSORIES

ALARM, BURGLAR.....	452
AUX AIR COMPRESSORS.....	454
KIT, AIR ACCESSORY SYSTEM .....	456
GENERATOR ASSY, 12 KW, POWER TECH .....	458
GENERATOR EXHAUST, FRONT .....	460
GENERATOR EXHAUST, REAR .....	462
GENERATOR EXHAUST, SUSPENSION.....	464
GENERATOR RADIATOR.....	466
INVERTER INSTALLATION .....	466
GROMMET CHART .....	484
LEVELING SYSTEM .....	486
MUDFLAPS.....	488
PLUMBING FOR FRESH WATER .....	490
TANK INSTALLATION .....	492
PLUMBING, DRAINAGE .....	496
TANK, FRESH WATER.....	500

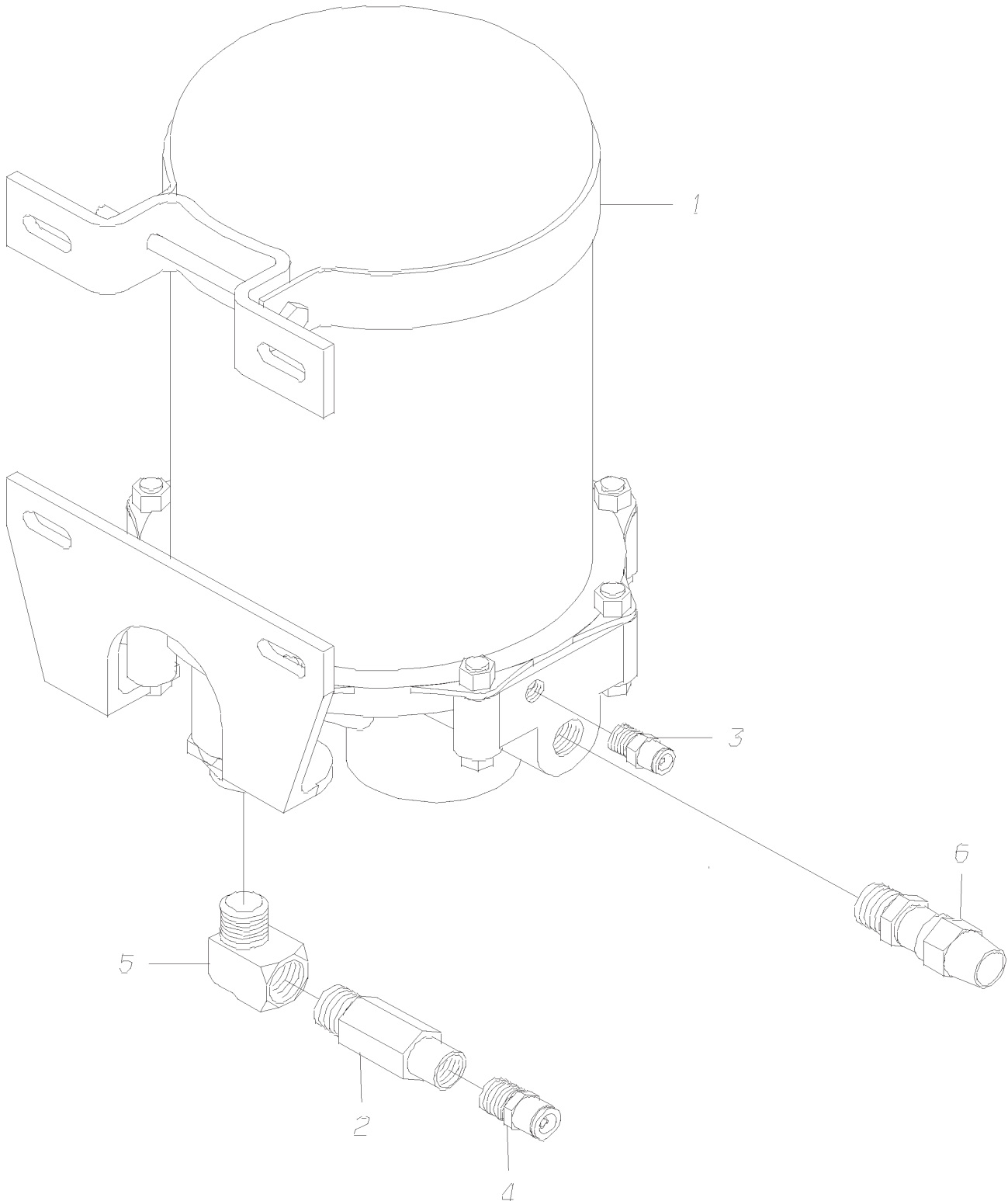






Models: H4RE, M4RE  
AIR DRYER ASSY  
AD-9

Key	PartNumber	Qty	Description	Comment
-----	------------	-----	-------------	---------

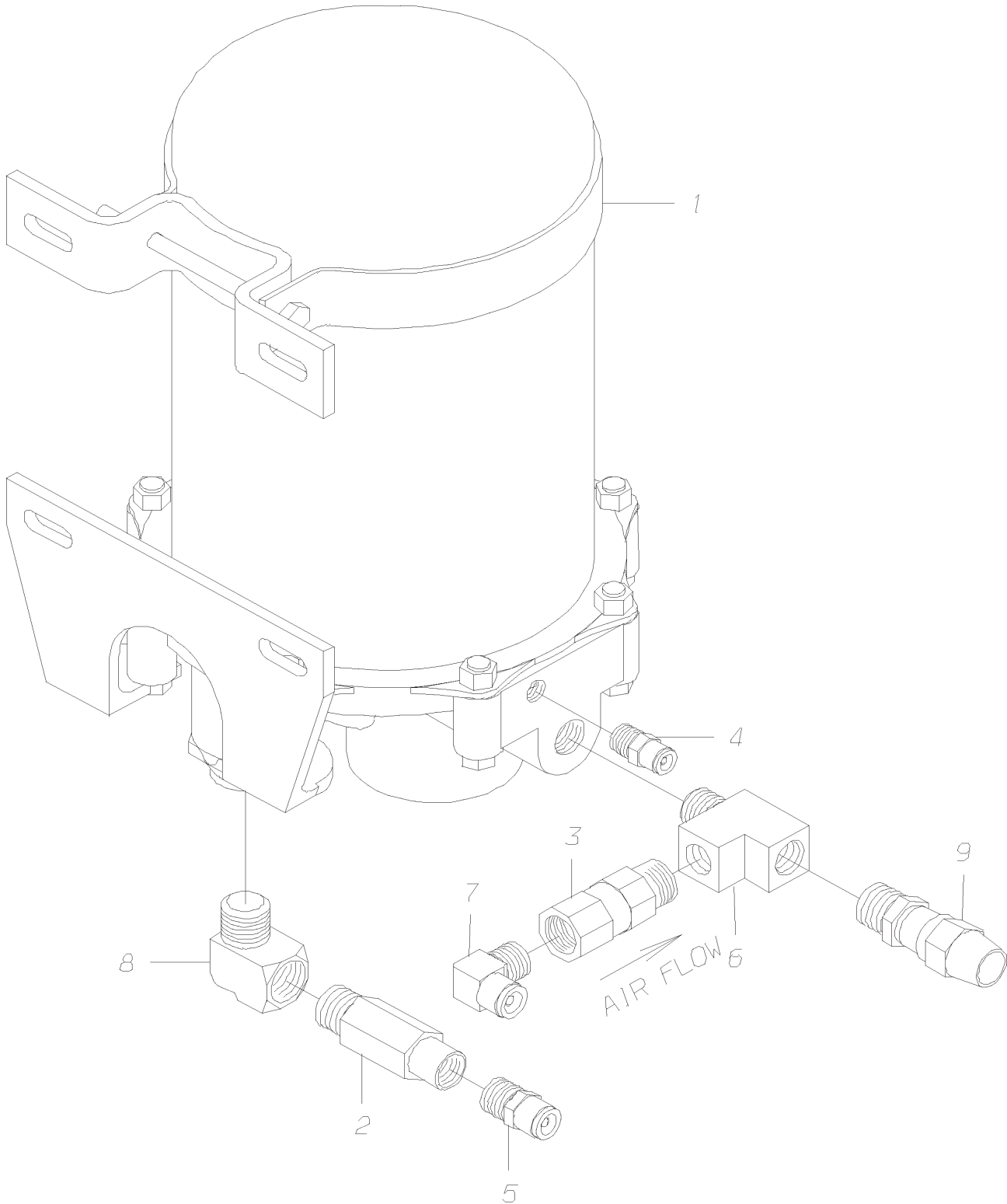


**Models: H4RE, M4RE  
AIR DRYER ASSY  
AD-9**

Key	PartNumber	Qty	Description	Comment
1	1734136	1	AIR DRYER,AD-9,LH SUPPLY,W/VITON TURBO	
2	0392308	1	VALVE,CHECK,WATER	
3	0009922	1	CONNECTOR, MALE, 1868X4X4-Z, .25MPT	
4	0009923	1	CONNECTOR,MALE,1868X10-Z,.50MPT X .63T	
5	2008274	1	ELBOW,STREET,90 DEG,1/2MPT X	
6	2023356	1	CONNECTOR,1/2 MPT X 5/8 TUBE	

**Models: H4RE  
AIR DRYER ASSY  
AD-9**

Key	PartNumber	Qty	Description	Comment
-----	------------	-----	-------------	---------

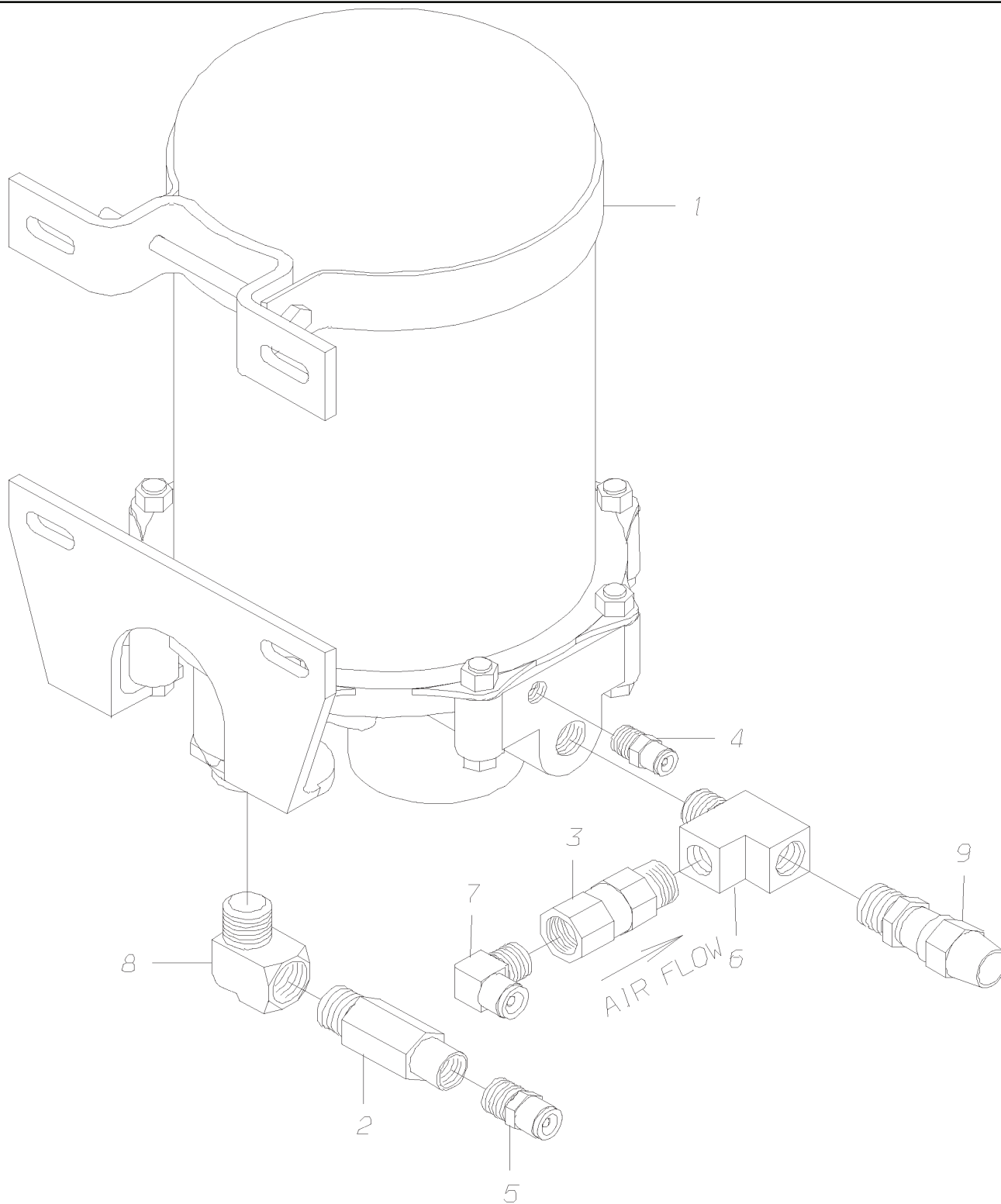


**Models: H4RE  
AIR DRYER ASSY  
AD-9**

Key	PartNumber	Qty	Description	Comment
1	1734136	1	AIR DRYER,AD-9,LH SUPPLY,W/VITON TURBO	
2	0392308	1	VALVE,CHECK,WATER	
3	0001134	1	VALVE,SINGLE CHECK,1/2 PIPE,STRAIGHT	
4	0009922	1	CONNECTOR, MALE, 1868X4X4-Z, .25MPT	
5	0009923	1	CONNECTOR,MALE,1868X10-Z,.50MPT X .63T	
6	0654350	1	TEE,1/2 PIPE,STREET	
7	0009909	1	ELBOW,90 DEG,MALE1869X6X8-Z,.50MPT	
8	2008274	1	ELBOW,STREET,90 DEG,1/2MPT X	
9	2023356	1	CONNECTOR,1/2 MPT X 5/8 TUBE	

**Models:** H4RE  
 AIR DRYER ASSY  
 AD-9  
 6 CHANNEL, ABS

Key	PartNumber	Qty	Description	Comment
-----	------------	-----	-------------	---------



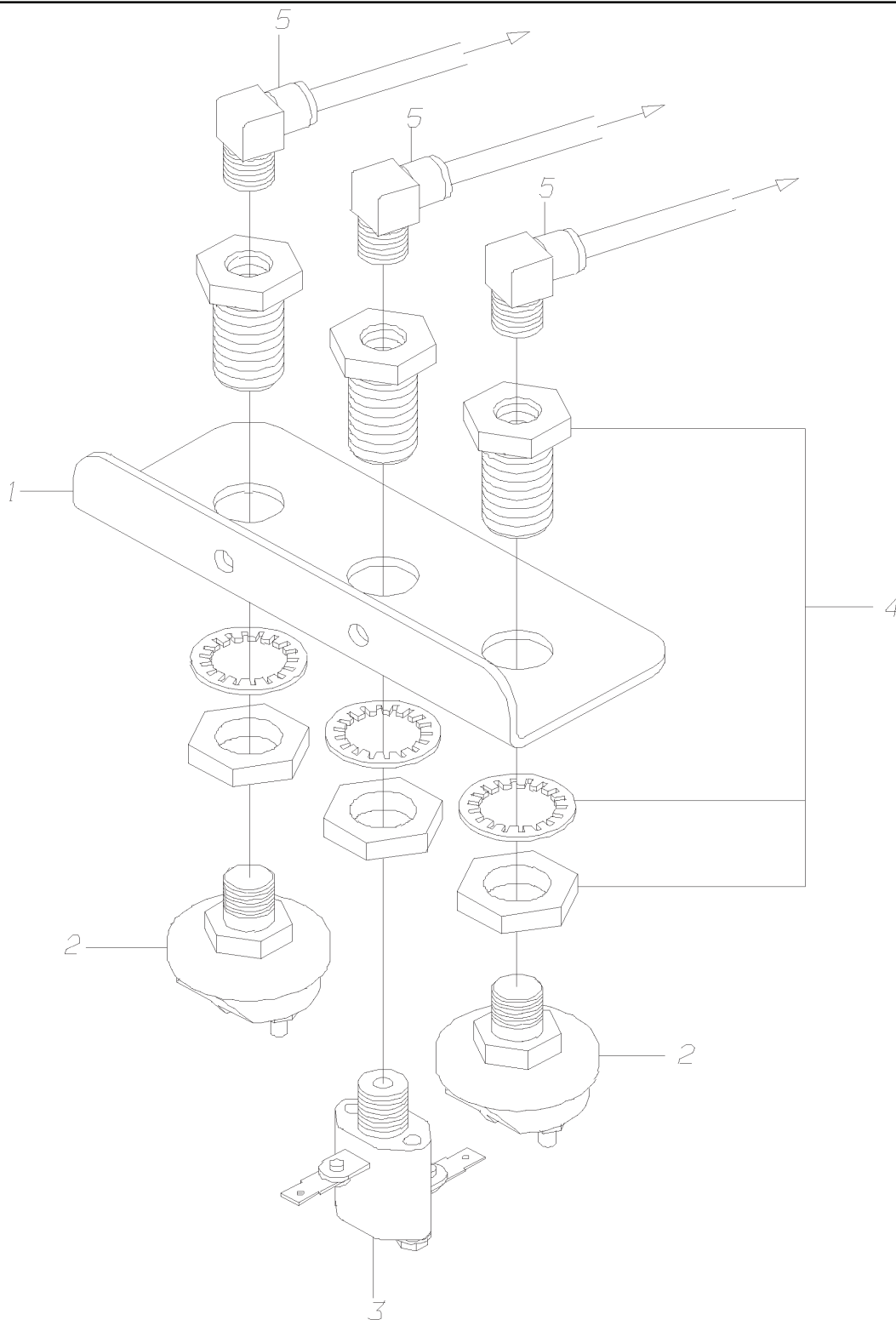
To order parts call 478.825.0330 x136

**Models:** H4RE  
 AIR DRYER ASSY  
 AD-9  
 6 CHANNEL, ABS

Key	PartNumber	Qty	Description	Comment
1	1734136	1	AIR DRYER,AD-9,LH SUPPLY,W/VITON TURBO	
NI	4311908	1	ELEMENT ONLY,AIR DRYER AD-9,1539089"	
2	0392308	1	VALVE,CHECK,WATER	
3	0001134	1	VALVE,SINGLE CHECK,1/2 PIPE,STRAIGHT	
4	0009922	1	CONNECTOR, MALE, 1868X4X4-Z, .25MPT	
5	0009923	1	CONNECTOR,MALE,1868X10-Z,.50MPT X .63T	
6	0654350	1	TEE,1/2 PIPE,STREET	
7	0009909	1	ELBOW,90 DEG,MALE1869X6X8-Z,.50MPT	
8	2008274	1	ELBOW,STREET,90 DEG,1/2MPT X	
9	2023356	1	CONNECTOR,1/2 MPT X 5/8 TUBE	

**Models: H4RE, M4RE  
 OPTIONAL EQUIPMENT  
 BRACKET ASSY  
 STOPLIGHTS & PARKING BRAKE SWITCH**

Key	PartNumber	Qty	Description	Comment
-----	------------	-----	-------------	---------



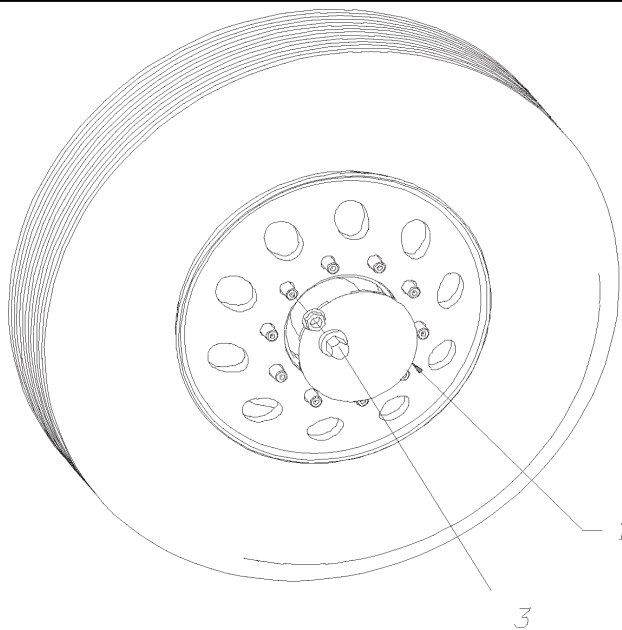


**Models: H4RE, M4RE  
OPTIONAL EQUIPMENT  
BRACKET ASSY  
STOPLIGHTS & PARKING BRAKE SWITCH**

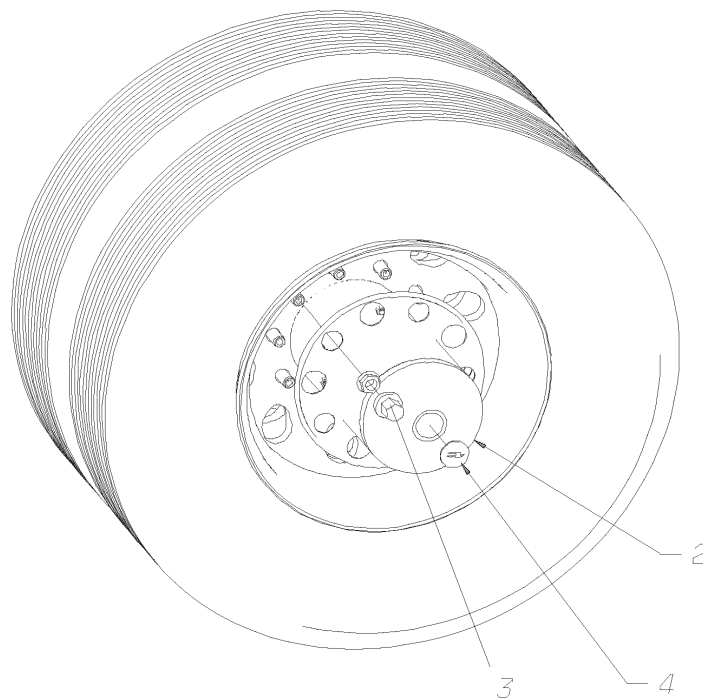
Key	PartNumber	Qty	Description	Comment
1	0039382	1	BRACKET,MTG,STOPLIGHT,RETARDER&PARK	
2	1940873	2	SWITCH ASSY,STOPLIGHT PRESSURE	
3	0982918	1	INDICATOR,LOW PRESSURE,LP-3,30 PSI	
4	2023232	3	COUPLING,ANCHOR,205465	
5	0009912	3	ELBOW, 90 DEG, MALE, 1869X4X4-Z,.25MPT	

Models: H4RE  
OPTIONAL EQUIPMENT  
HUB COVERS

Key	PartNumber	Qty	Description	Comment
-----	------------	-----	-------------	---------



FRONT AXLE



REAR AXLE

**Models:** H4RE  
OPTIONAL EQUIPMENT  
HUB COVERS

Key	PartNumber	Qty	Description	Comment
1	6020390	2	COVER,HUB,SS,FRT AXLE,W/NOTCHES,22582,	
2	0032022	2	COVER,HUB,REAR,WHEEL,2000,Q4,B4,W4RE"	
3	0026322	40	COVER,LUG NUT,33MM,ALUM WHEEL,SS,Q4RE,	
4	6088728	2	DECAL,LOGO,REAR WHEEL COVER, 1997 WLWB	

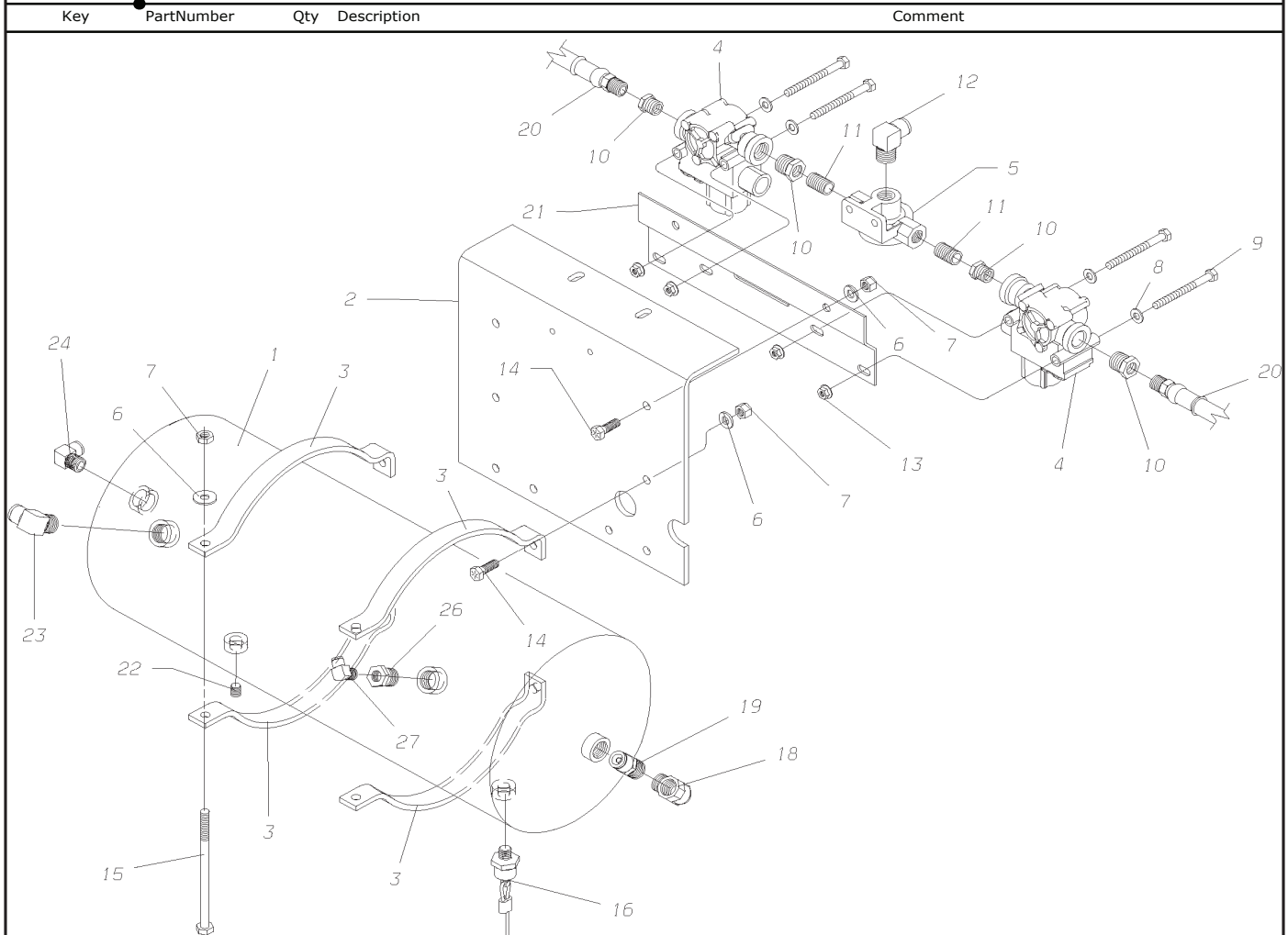
Models: H4RE  
RESERVOIR ASSY  
ACCESSORY

Key	PartNumber	Qty	Description	Comment
1	0014509	1	RESERVOIR,2000 CU. IN.,DUAL COMPARTMENT	
2	0040247	1	BRACKET,MTG,RESERVOIR,2000CI DUAL COMP	
3	0850586	4	BRACKET,MTG,9 1/2IN,AIR RESERVOIR	
4	0008387	2	MODULATOR,ABS,6 CHANNEL,AIR BRAKES,	
5	1940857	1	VALVE,QUICK RELEASE,1/2" INLET PORT	
6	1107085	8	WASHER,FLAT,13/32 X 13/16 X 3/32,HDN,BLK	
7	1013689	8	NUT,HEX HD,3/8-16,WASHER SER,YEL ZN DICH	
8	2001048	4	WASHER,FLAT,11/32 X 11/16 X 1/16,YEL	
9	1226877	4	CAPSCREW,HEX HD,5/16X 3 1/2,GR8,YEL ZN	

**Models: H4RE  
RESERVOIR ASSY  
ACCESSORY**

Key	PartNumber	Qty	Description	Comment
10	2023539	4	BUSHING,PIPE,1/2MPT X 3/8FPT,3220X8X6Z,	
11	2027191	2	NIPPLE,0.375 CLOSE PIPE,BRASS	
12	0009907	1	ELBOW,90 DEG,MALE1869X8X8-Z,.50MPT	
13	0829390	4	NUT, HEX HD, 5/16-18, SER WASHER, YEL ZN	
14	0803213	6	CAPSCREW,HEX HD,3/8-16X1 1/4,GR8,YEL	
15	0851337	2	CAPSCREW,HEX HD,3/8-16X6 1/2,GR5,YEL	
16	1110188	2	VALVE,RESERVOIR,DRAIN	
17	0663427	1	PLUG,PIPE,1/2 SQ HD,3151 X 8Z,BRASS	
18	3772159	3	PLUG,PIPE,0.375,BRASS W/SEALANT,HEX HD	
19	0001135	1	VALVE,SINGLE CHECK,1/2 PIPE,90 DEGREE	
20	0009923	1	CONNECTOR,MALE,1868X10-Z,.50MPT X .63T	
21	0009906	1	ELBOW,90 DEG,MALE1869X8-Z,.38MPT X .50T	
22	0009911	2	ELBOW,90 DEG,MALE1869X6X6-Z,.38MPT	
23	1082619	2	HOSE ASSY,BRAKE,7/16 X 30 IN LONG	
24	0048520	1	BRACKET,MTG,MODULATORS,FRONT,H4RE	

**Models:** H4RE  
**RESERVOIR ASSY**  
**FRONT**  
**6 CHANNEL, ABS 45 FT**  
**BSN:** From CSN 10/20/03  
 To CSN 10/17/04

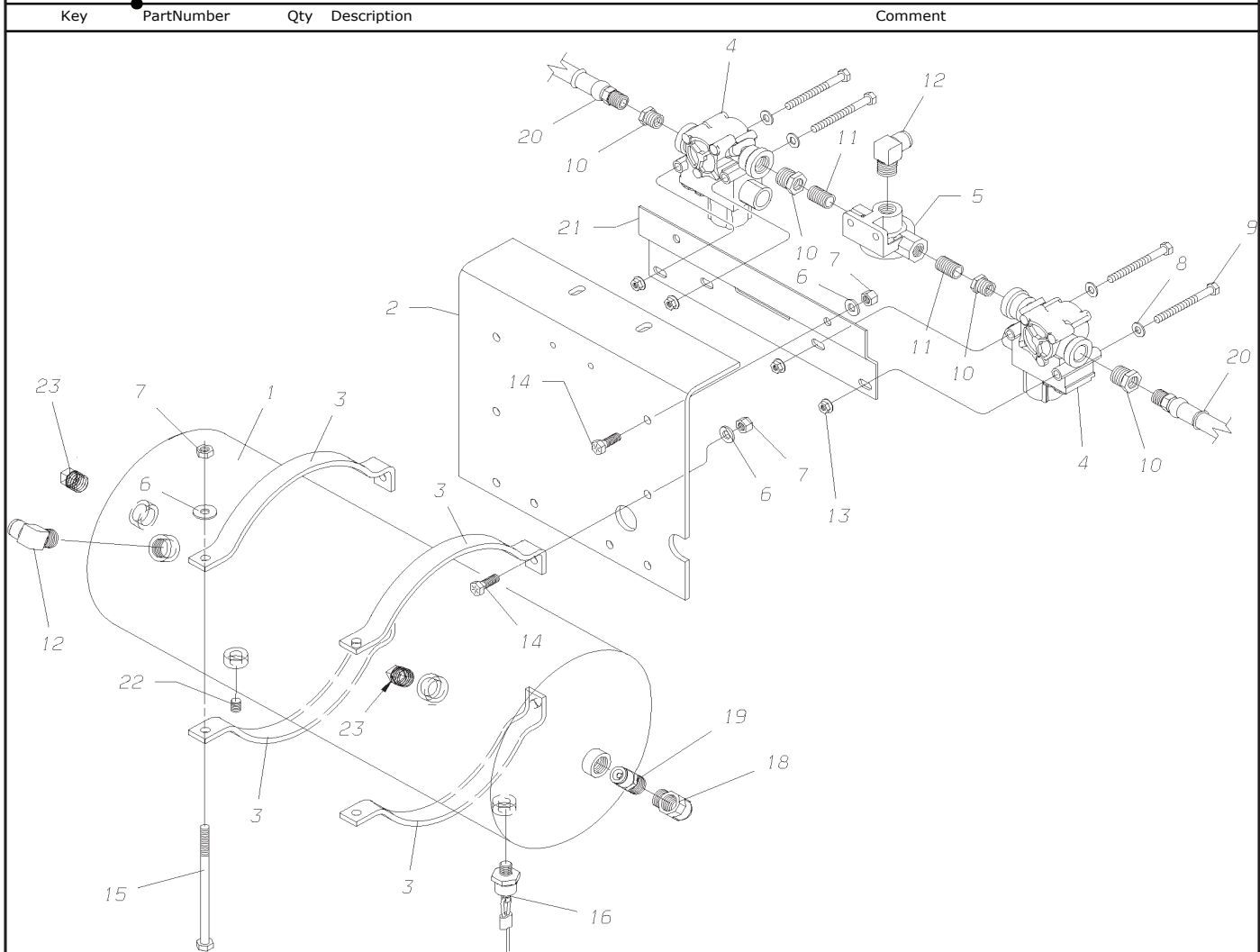


Key	PartNumber	Qty	Description	Comment
1	0073461		RESERVOIR,AIR,9.5X27,1760CUIN"	
2	0040247		BRACKET,MTG,RESERVOIR,2000CI DUAL COMP	
3	0850586	4	BRACKET,MTG,9 1/2IN,AIR RESERVOIR	
4	0008387	2	MODULATOR,ABS,6 CHANNEL,AIR BRAKES,	
5	1940857		VALVE,QUICK RELEASE,1/2" INLET PORT	
6	1107085	8	WASHER,FLAT,13/32 X 13/16 X 3/32,HDN,BLK	
7	1013689	8	NUT,HEX HD,3/8-16,WASHER SER,YEL ZN DICH	
8	2001048	4	WASHER,FLAT,11/32 X 11/16 X 1/16,YEL	

**Models:** H4RE  
**RESERVOIR ASSY**  
**FRONT**  
**6 CHANNEL, ABS 45 FT**  
**BSN:** From CSN 10/20/03  
 To CSN 10/17/04

Key	PartNumber	Qty	Description	Comment
9	1226877	4	CAPSCREW,HEX HD,5/16X 3 1/2,GR8,YEL ZN	
10	2023539	4	BUSHING,PIPE,1/2MPT X 3/8FPT,3220X8X6Z,	
11	2027191	2	NIPPLE,0.375 CLOSE PIPE,BRASS	
12	0009907		ELBOW,90 DEG,MALE1869X8X8-Z,.50MPT	
13	0829390	4	NUT, HEX HD, 5/16-18, SER WASHER, YEL ZN	
14	0803213	6	CAPSCREW,HEX HD,3/8-16X1 1/4,GR8,YEL	
15	0851337	2	CAPSCREW,HEX HD,3/8-16X6 1/2,GR5,YEL	
16	0021075		VALVE,DRAIN & CABLE ASSY,1/4 NPTF	
18	0001135		VALVE,SINGLE CHECK,1/2 PIPE,90 DEGREE	
19	0009923		CONNECTOR,MALE,1868X10-Z,.50MPT X .63T	
20	0991653	2	HOSE ASSY,BRAKE,7/16 X 36 IN LONG	
21	0048520		BRACKET,MTG,MODULATORS,FRONT,H4RE	
22	2023513		PLUG,PIPE,1/4,ALLEN HEX HD,BRASS	
23	0009907		ELBOW,90 DEG,MALE1869X8X8-Z,.50MPT	
24	0009909		ELBOW,90 DEG,MALE1869X6X8-Z,.50MPT	
25	9095745	.2	** PART NOT FOUND **	
26	2027159		BUSHING,PIPE,1/2 X 1/4,BRASS	
27	0009912		ELBOW, 90 DEG, MALE, 1869X4X4-Z,.25MPT	

**Models:** H4RE  
**RESERVOIR ASSY**  
**FRONT**  
**6 CHANNEL, ABS 45 FT**  
**BSN:** From CSN 10/18/04



Key	PartNumber	Qty	Description	Comment
1	0073461		RESERVOIR,AIR,9.5X27,1760CUIN"	
2	0040247		BRACKET,MTG,RESERVOIR,2000CI DUAL COMP	
3	1583608	4	BRACKET,MTG,RESERVOIR,1240 CU.IN.	
4	0008387	2	MODULATOR,ABS,6 CHANNEL,AIR BRAKES,	
5	1940857		VALVE,QUICK RELEASE,1/2" INLET PORT	
6	1107085	8	WASHER,FLAT,13/32 X 13/16 X 3/32,HDN,BLK	
7	1013689	8	NUT,HEX HD,3/8-16,WASHER SER,YEL ZN DICH	
8	2001048	4	WASHER,FLAT,11/32 X 11/16 X 1/16,YEL	



**Models:** H4RE  
**RESERVOIR ASSY  
 FRONT  
 6 CHANNEL, ABS 45 FT**  
**BSN:** From CSN 10/18/04

Key	PartNumber	Qty	Description	Comment
9	1226877	4	CAPSCREW,HEX HD,5/16X 3 1/2,GR8,YEL ZN	
10	2023539	4	BUSHING,PIPE,1/2MPT X 3/8FPT,3220X8X6Z,	
11	2027191	2	NIPPLE,0.375 CLOSE PIPE,BRASS	
12	0009907	2	ELBOW,90 DEG,MALE1869X8X8-Z,.50MPT	
13	0829390	4	NUT, HEX HD, 5/16-18, SER WASHER, YEL ZN	
14	0803213	6	CAPSCREW,HEX HD,3/8-16X1 1/4,GR8,YEL	
15	0851337	2	CAPSCREW,HEX HD,3/8-16X6 1/2,GR5,YEL	
16	0021075		VALVE,DRAIN & CABLE ASSY,1/4 NPTF	
17	0905745		SEALANT,PIPE,LOCTITE 567,W/TEFLON 250CC	
18	0001135		VALVE,SINGLE CHECK,1/2 PIPE,90 DEGREE	
19	0009923		CONNECTOR,MALE,1868X10-Z,.50MPT X .63T	
20	0991653	2	HOSE ASSY,BRAKE,7/16 X 36 IN LONG	
21	0048520		BRACKET,MTG,MODULATORS,FRONT,H4RE	
22	2023513		PLUG,PIPE,1/4,ALLEN HEX HD,BRASS	
23	0663427	2	PLUG,PIPE,1/2 SQ HD,3151 X 8Z,BRASS	

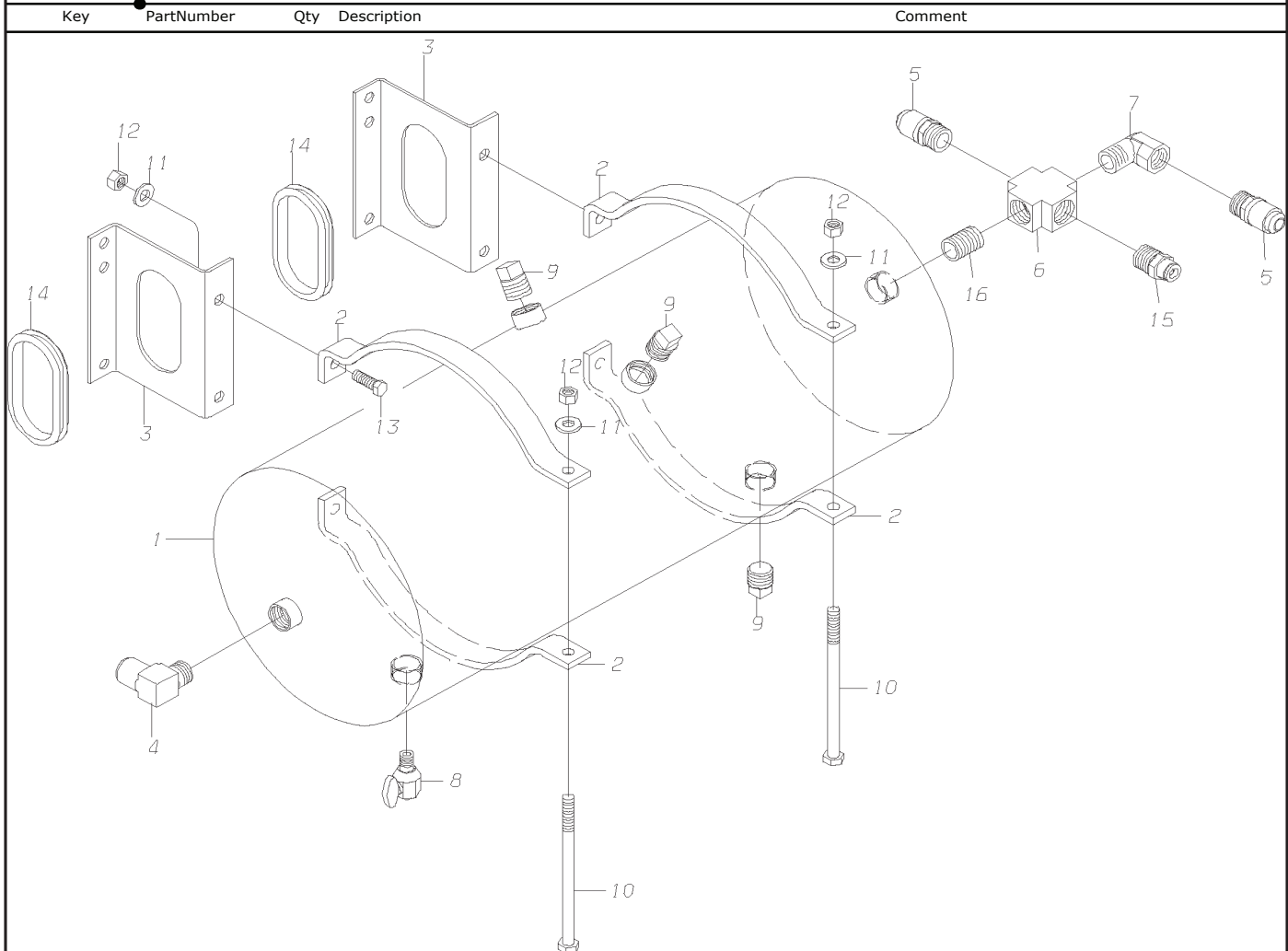
Models: **H4RE  
RESERVOIR ASSY  
FRONT & ACCESSORY  
6 CHANNEL, ABS**

Key	PartNumber	Qty	Description	Comment
1	0014509	1	RESERVOIR,2000 CU. IN.,DUAL COMPARTMENT	
2	0040247	1	BRACKET,MTG,RESERVOIR,2000CI DUAL COMP	
3	0850586	4	BRACKET,MTG,9 1/2IN,AIR RESERVOIR	
4	0008387	2	MODULATOR,ABS,6 CHANNEL,AIR BRAKES,	
5	1940857	1	VALVE,QUICK RELEASE,1/2" INLET PORT	
6	1107085	8	WASHER,FLAT,13/32 X 13/16 X 3/32,HDN,BLK	
7	1013689	8	NUT,HEX HD,3/8-16,WASHER SER,YEL ZN DICH	
8	2001048	4	WASHER,FLAT,11/32 X 11/16 X 1/16,YEL	
9	1226877	4	CAPSCREW,HEX HD,5/16X 3 1/2,GR8,YEL ZN	

**Models: H4RE  
RESERVOIR ASSY  
FRONT & ACCESSORY  
6 CHANNEL, ABS**

Key	PartNumber	Qty	Description	Comment
10	2023539	4	BUSHING,PIPE,1/2MPT X 3/8FPT,3220X8X6Z,	
11	2027191	2	NIPPLE,0.375 CLOSE PIPE,BRASS	
12	0009907	1	ELBOW,90 DEG,MALE1869X8X8-Z,.50MPT	
13	0829390	4	NUT, HEX HD, 5/16-18, SER WASHER, YEL ZN	
14	0803213	6	CAPSCREW,HEX HD,3/8-16X1 1/4,GR8,YEL	
15	0851337	2	CAPSCREW,HEX HD,3/8-16X6 1/2,GR5,YEL	
16	1110188	2	VALVE,RESERVOIR,DRAIN	
17	0663427	1	PLUG,PIPE,1/2 SQ HD,3151 X 8Z,BRASS	
18	3772159	3	PLUG,PIPE,0.375,BRASS W/SEALANT,HEX HD	
19	0001135	1	VALVE,SINGLE CHECK,1/2 PIPE,90 DEGREE	
20	0009923	1	CONNECTOR,MALE,1868X10-Z,.50MPT X .63T	
21	0009906	1	ELBOW,90 DEG,MALE1869X8-Z,.38MPT X .50T	
22	0009911	2	ELBOW,90 DEG,MALE1869X6X6-Z,.38MPT	
23	1082619	2	HOSE ASSY,BRAKE,7/16 X 30 IN LONG	
24	0048520	1	BRACKET,MTG,MODULATORS,FRONT,H4RE	

**Models: H4RE, M4RE  
RESERVOIR ASSY  
REAR**

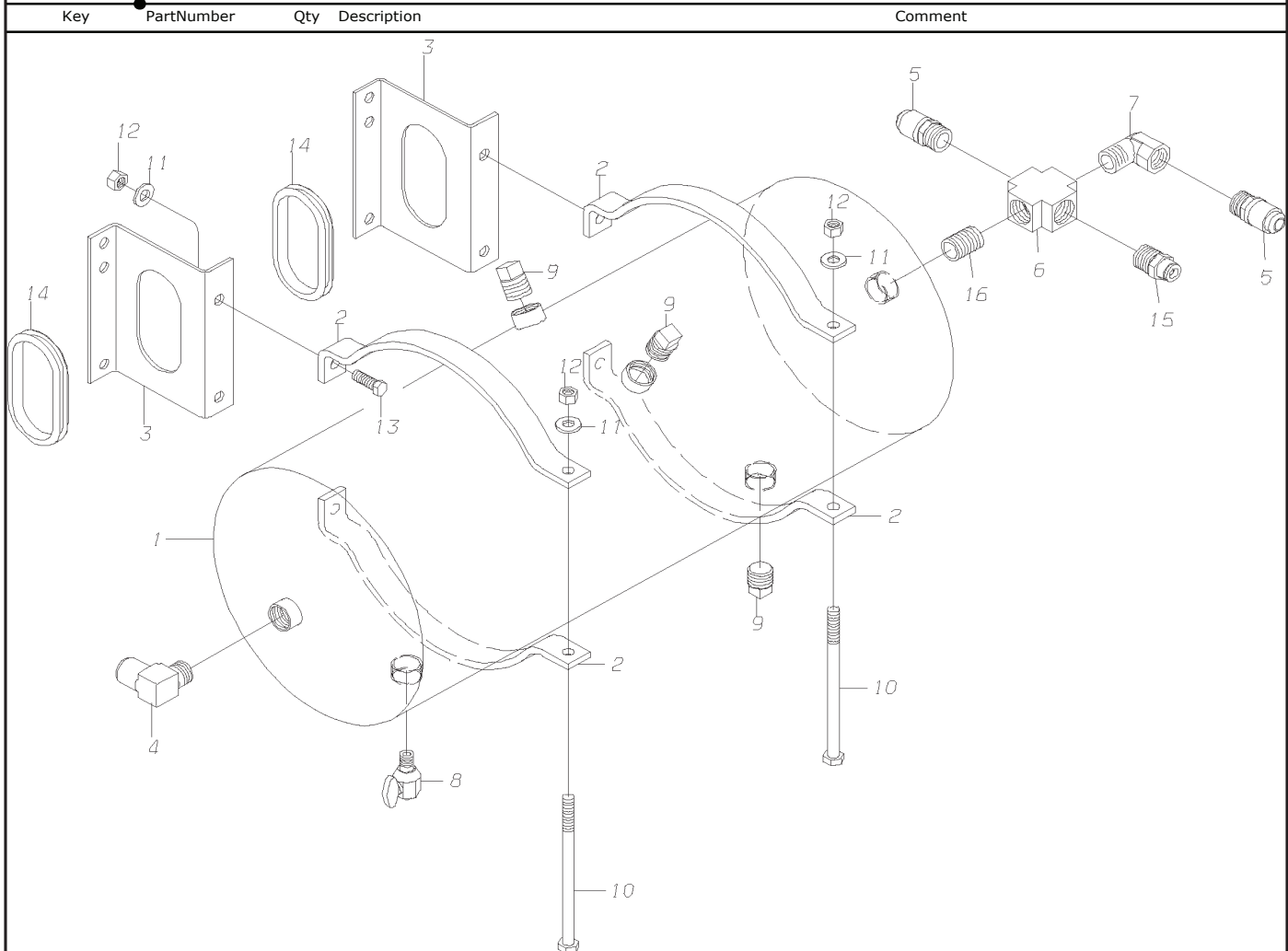


Key	PartNumber	Qty	Description	Comment
1	0991513	1	RESERVOIR,9 1/2 X 27 - 1760 CU.IN.	
2	0850586	4	BRACKET,MTG,9 1/2IN,AIR RESERVOIR	
3	1946649	2	BRACKET,SPACER,AIR RESERVOIR,RC	
4	0009908	1	ELBOW,90 DEG,MALE1869X10-Z,.50MPT X .63T	
5	0009920	2	CONNECTOR,MALE,1868X8X8-Z,.50MPT X .50T"	
6	2257905	1	CROSS,FEMALE PIPE,0.50,BRASS	
7	0001135	1	VALVE,SINGLE CHECK,1/2 PIPE,90 DEGREE	
8	1110188	1	VALVE,RESERVOIR,DRAIN	

**Models: H4RE, M4RE  
RESERVOIR ASSY  
REAR**

Key	PartNumber	Qty	Description	Comment
9	0663427	3	PLUG,PIPE,1/2 SQ HD,3151 X 8Z,BRASS	
10	0851337	2	CAPSCREW,HEX HD,3/8-16X6 1/2,GR5,YEL	
11	1107085	6	WASHER,FLAT,13/32 X 13/16 X 3/32,HDN,BLK	
12	1013689	6	NUT,HEX HD,3/8-16,WASHER SER,YEL ZN DICH	
13	0803213	4	CAPSCREW,HEX HD,3/8-16X1 1/4,GR8,YEL	
14	1576388	2	GROMMET,MOLDED STRIP,.320 X 12.75 LONG	
15	0009919	1	CONNECTOR,MALE,1868X6X8-Z,.50MPT X .38T"	
16	2023992	1	NIPPLE,203321 1/2 CLOSE PIPE	

**Models: H4RE  
RESERVOIR ASSY  
REAR  
6 CHANNEL, ABS**

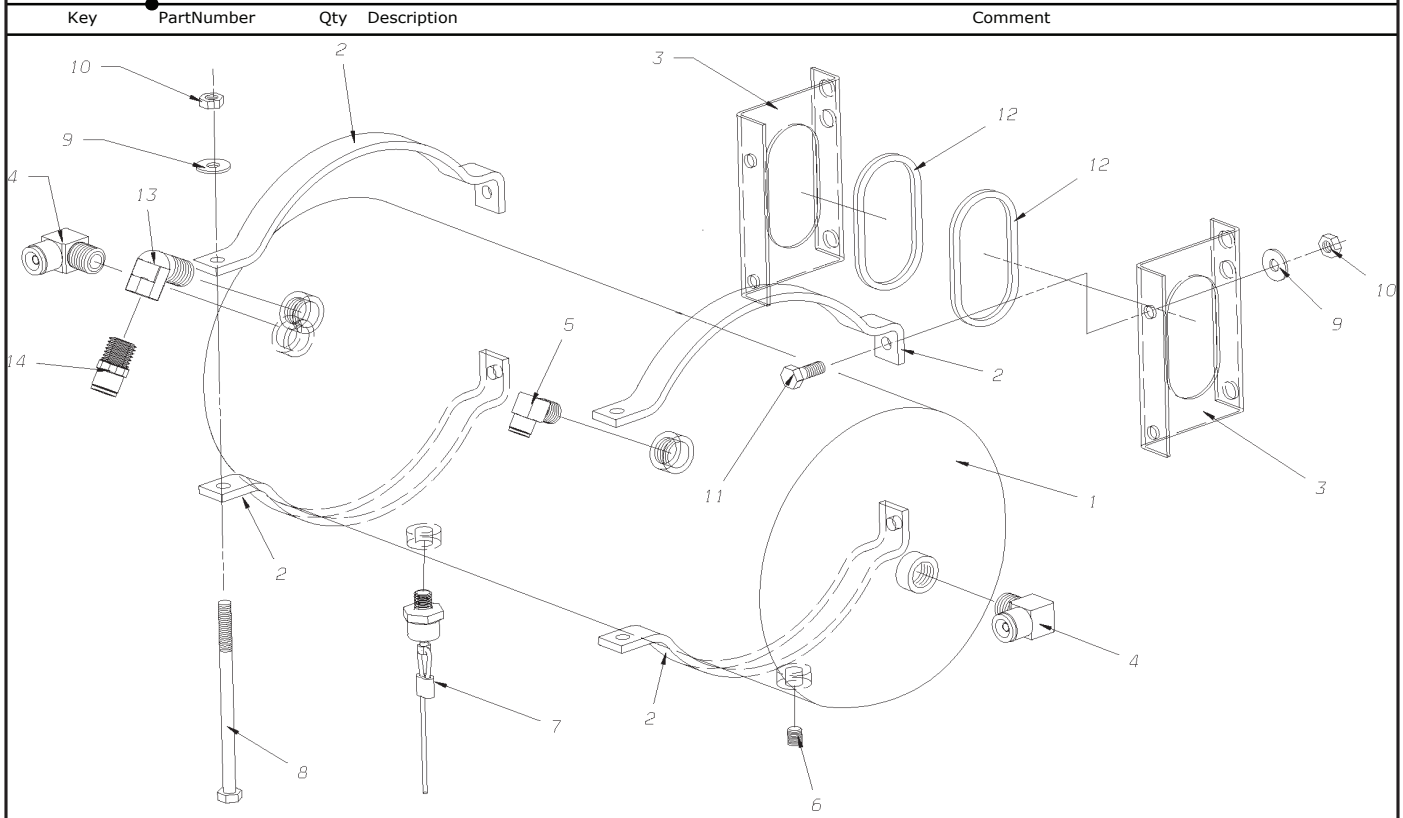


Key	PartNumber	Qty	Description	Comment
1	0991513	1	RESERVOIR,9 1/2 X 27 - 1760 CU.IN.	
2	0850586	4	BRACKET,MTG,9 1/2IN,AIR RESERVOIR	
3	1946649	2	BRACKET,SPACER,AIR RESERVOIR,RC	
4	0009908	1	ELBOW,90 DEG,MALE1869X10-Z,.50MPT X .63T	
5	0009920	2	CONNECTOR,MALE,1868X8X8-Z,.50MPT X .50T"	
6	2257905	1	CROSS,FEMALE PIPE,0.50,BRASS	
7	0001135	1	VALVE,SINGLE CHECK,1/2 PIPE,90 DEGREE	
8	1110188	1	VALVE,RESERVOIR,DRAIN	

**Models:** H4RE  
 RESERVOIR ASSY  
 REAR  
 6 CHANNEL, ABS

Key	PartNumber	Qty	Description	Comment
9	0663427	3	PLUG,PIPE,1/2 SQ HD,3151 X 8Z,BRASS	
10	0851337	2	CAPSCREW,HEX HD,3/8-16X6 1/2,GR5,YEL	
11	1107085	6	WASHER,FLAT,13/32 X 13/16 X 3/32,HDN,BLK	
12	1013689	6	NUT,HEX HD,3/8-16,WASHER SER,YEL ZN DICH	
13	0803213	4	CAPSCREW,HEX HD,3/8-16X1 1/4,GR8,YEL	
14	1576388	2	GROMMET,MOLDED STRIP,.320 X 12.75 LONG	
15	0009919	1	CONNECTOR,MALE,1868X6X8-Z,.50MPT X .38T"	
16	2023992	1	NIPPLE,203321 1/2 CLOSE PIPE	

**Models:** H4RE  
**RESERVOIR ASSY**  
**REAR**  
**6 CHANNEL, ABS 45 FT**  
**BSN:** From CSN 10/20/03



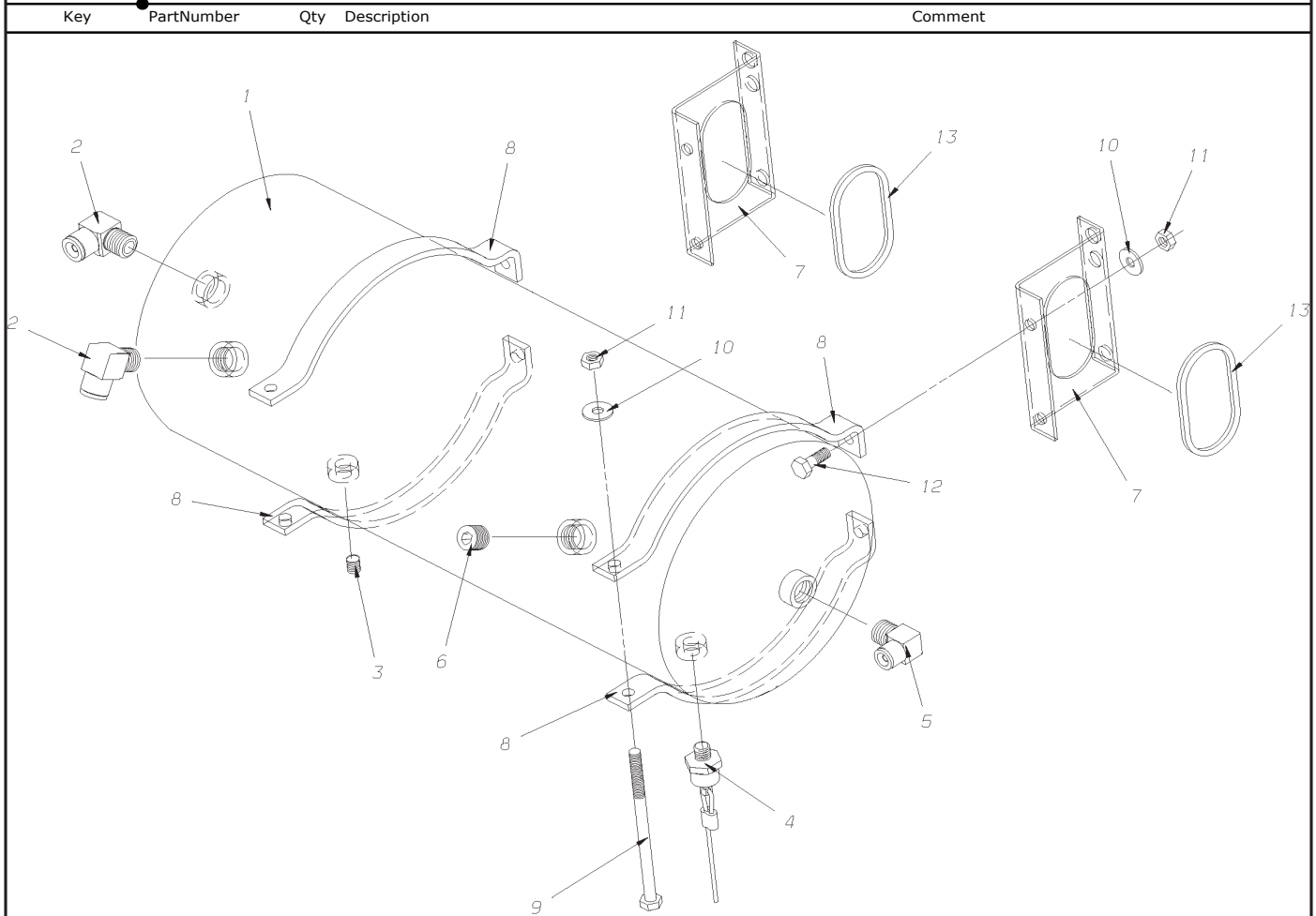
Key	PartNumber	Qty	Description	Comment
1	0073461		RESERVOIR,AIR,9.5X27,1760CUIN"	
2	0850586	4	BRACKET,MTG,9 1/2IN,AIR RESERVOIR	
3	0069075	2	BRACKET,SPACER,REAR BRAKE	
4	0009908	2	ELBOW,90 DEG,MALE1869X10-Z,.50MPT X .63T	
5	0009909		ELBOW,90 DEG,MALE1869X6X8-Z,.50MPT	
6	2023513		PLUG,PIPE,1/4,ALLEN HEX HD,BRASS	
7	0021075		VALVE,DRAIN & CABLE ASSY,1/4 NPTF	
8	0851337	2	CAPSCREW,HEX HD,3/8-16X6 1/2,GR5,YEL	
9	1107085	6	WASHER,FLAT,13/32 X 13/16 X 3/32,HDN,BLK	
10	1013689	6	NUT,HEX HD,3/8-16,WASHER SER,YEL ZN DICH	
11	0803213	4	CAPSCREW,HEX HD,3/8-16X1 1/4,GR8,YEL	



**Models:** H4RE  
RESERVOIR ASSY  
REAR  
6 CHANNEL, ABS 45 FT  
**BSN:** From CSN 10/20/03

Key	PartNumber	Qty	Description	Comment
13	0001135		VALVE,SINGLE CHECK,1/2 PIPE,90 DEGREE	
14	0009920		CONNECTOR,MALE,1868X8X8-Z,.50MPT X .50T"	
15	0905745		SEALANT,PIPE,LOCTITE 567,W/TEFLON 250CC	

**Models:** H4RE  
**RESERVOIR ASSY**  
**WET TANK**  
**6 CHANNEL, ABS 45 FT**  
**BSN:** From CSN 10/20/03  
 To CSN 10/17/04

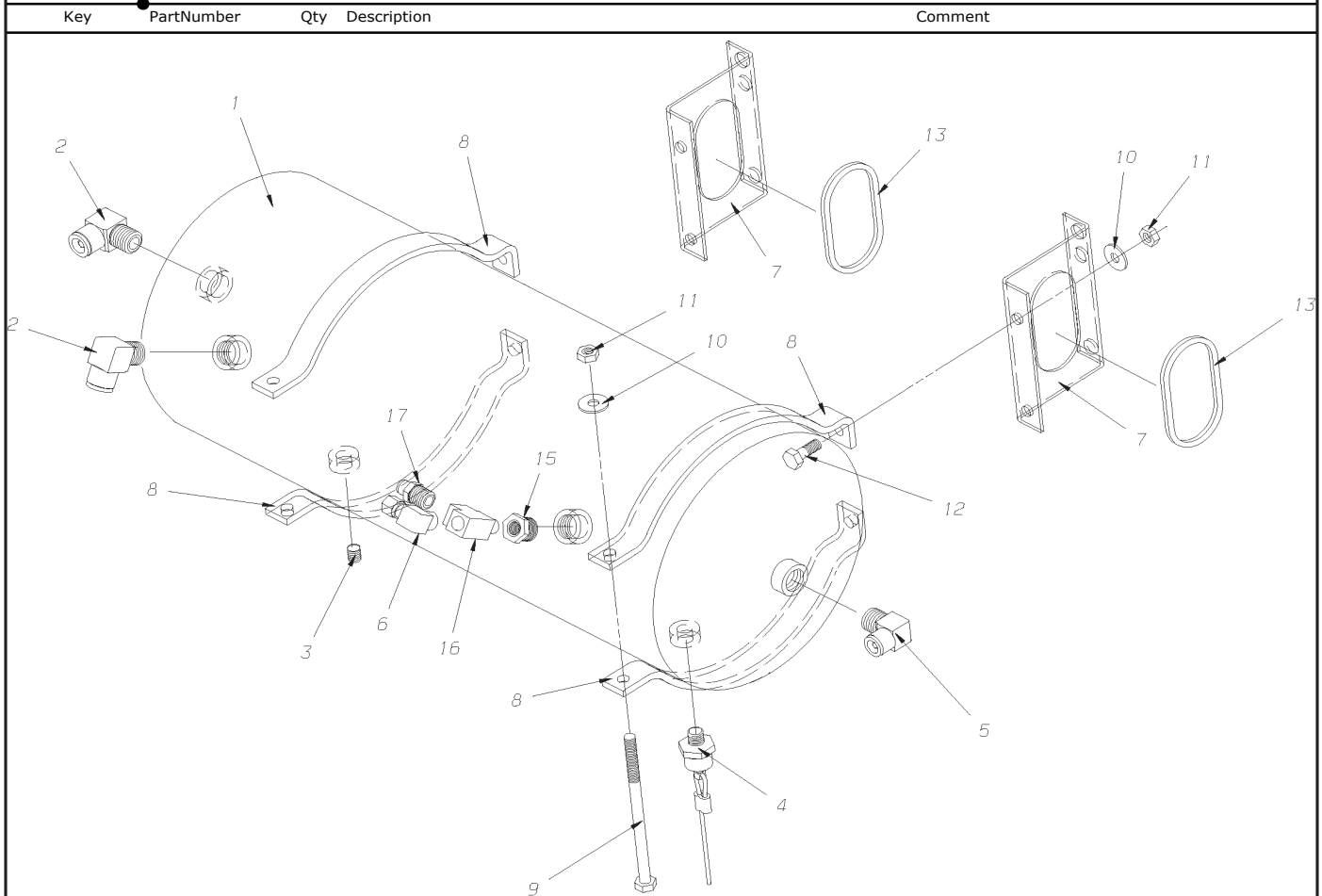


Key	PartNumber	Qty	Description	Comment
1	0073461		RESERVOIR,AIR,9.5X27,1760CUIN"	
2	0009908	2	ELBOW,90 DEG,MALE1869X10-Z,.50MPT X .63T	
3	2023513		PLUG,PIPE,1/4,ALLEN HEX HD,BRASS	
4	0027015		BRACKET,MTG,L/CMPT DOOR LINKAGE,FRT"	
5	0009907		ELBOW,90 DEG,MALE1869X8X8-Z,.50MPT	
6	1354877		PLUG,PIPE,1/2 ALLEN HEAD	
7	0069075	2	BRACKET,SPACER,REAR BRAKE	
8	0850586	4	BRACKET,MTG,9 1/2IN,AIR RESERVOIR	
9	0851337	2	CAPSCREW,HEX HD,3/8-16X6 1/2,GR5,YEL	

**Models:** H4RE  
**RESERVOIR ASSY**  
**WET TANK**  
**6 CHANNEL, ABS 45 FT**  
**BSN:** From CSN 10/20/03  
 To CSN 10/17/04

Key	PartNumber	Qty	Description	Comment
10	1107082	6	** PART NOT FOUND **	
11	1013689	6	NUT,HEX HD,3/8-16,WASHER SER,YEL ZN DICH	
12	0803213	4	CAPSCREW,HEX HD,3/8-16X1 1/4,GR8,YEL	
13	1576388	2	GROMMET,MOLDED STRIP,.320 X 12.75 LONG	
14	0905745	AR	SEALANT,PIPE,LOCTITE 567,W/TEFLON 250CC	

**Models:** H4RE  
**RESERVOIR ASSY**  
**WET TANK**  
**6 CHANNEL, ABS 45 FT**  
**BSN:** From CSN 10/18/04



Key	PartNumber	Qty	Description	Comment
1	0073461		RESERVOIR,AIR,9.5X27,1760CUIN"	
2	0009908	2	ELBOW,90 DEG,MALE1869X10-Z,.50MPT X .63T	
3	2023513		PLUG,PIPE,1/4,ALLEN HEX HD,BRASS	
4	0021075		VALVE,DRAIN & CABLE ASSY,1/4 NPTF	
5	0009907		ELBOW,90 DEG,MALE1869X8X8-Z,.50MPT	
6	1344043		ELBOW,90 DEG,MALE,1469X6X6-Z,.38MP X .38T	
7	0069075	2	BRACKET,SPACER,REAR BRAKE	
8	1583608		BRACKET,MTG,RESERVOIR,1240 CU.IN.	
9	0851337	2	CAPSCREW,HEX HD,3/8-16X6 1/2,GR5,YEL	

**Models:** H4RE  
 RESERVOIR ASSY  
 WET TANK  
 6 CHANNEL, ABS 45 FT  
**BSN:** From CSN 10/18/04

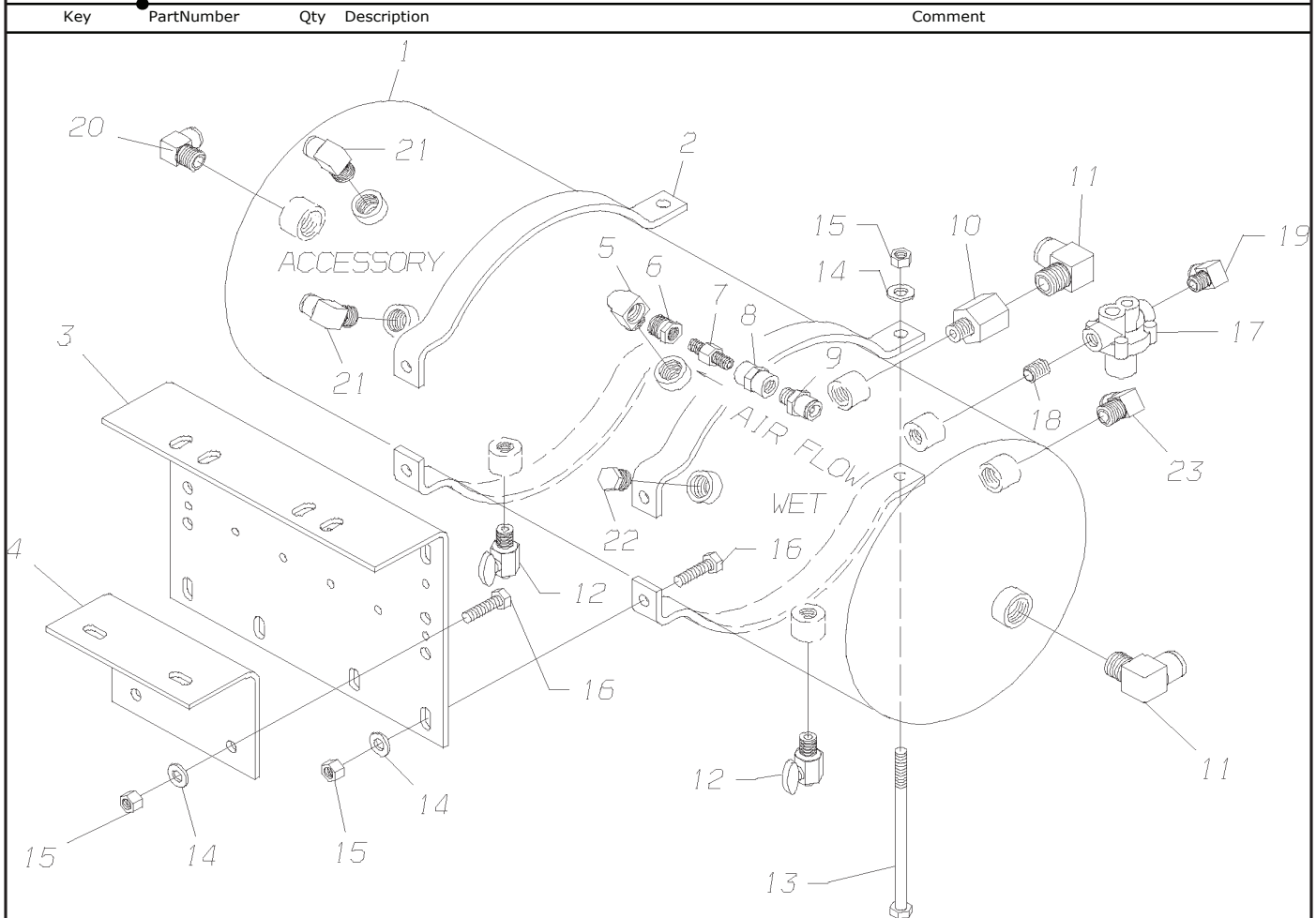
Key	PartNumber	Qty	Description	Comment
10	1107085	6	WASHER,FLAT,13/32 X 13/16 X 3/32,HDN,BLK	
11	1013689	6	NUT,HEX HD,3/8-16,WASHER SER,YEL ZN DICH	
12	0803213	4	CAPSCREW,HEX HD,3/8-16X1 1/4,GR8,YEL	
13	1576388	2	GROMMET,MOLDED STRIP,.320 X 12.75 LONG	
14	9095745	AR	** PART NOT FOUND **	
15	2023539		BUSHING,PIPE,1/2MPT X 3/8FPT,3220X8X6Z,	
16	0031016		TEE,STREET,.375MPTX.375FPTX.375FPT,BRASS"	
17	0023776		CONNECTOR,MALE,1868X4X6-Z,.38MPT X .25T	



**Models:** H4RE  
RESERVOIR ASSY  
WET TANK  
ACCESSORY

Key	PartNumber	Qty	Description	Comment
10	0970327	1	ADAPTER,1/2 FPT TO 3/8 MPT,PARKER 222P-8-6	
11	0009908	2	ELBOW,90 DEG,MALE1869X10-Z,.50MPT X .63T	
12	1110188	2	VALVE,RESERVOIR,DRAIN	
13	0851337	2	CAPSCREW,HEX HD,3/8-16X6 1/2,GR5,YEL	
14	1107085	6	WASHER,FLAT,13/32 X 13/16 X 3/32,HDN,BLK	
15	1013689	6	NUT,HEX HD,3/8-16,WASHER SER,YEL ZN DICH	
16	0803213	4	CAPSCREW,HEX HD,3/8-16X1 1/4,GR8,YEL	
17	0522508	1	VALVE,PRESS PROTECTION,65 PSI	
18	2027183	1	NIPPLE,1/4 CLOSE,BRASS	
19	0009914	1	ELBOW,90 DEG,MALE1869X6-Z,.25MPT X .38T"	
20	0009909	1	ELBOW,90 DEG,MALE1869X6X8-Z,.50MPT	
21	0009911	2	ELBOW,90 DEG,MALE1869X6X6-Z,.38MPT	
22	3772159	1	PLUG,PIPE,0.375,BRASS W/SEALANT,HEX HD	
23	0009906	1	ELBOW,90 DEG,MALE1869X8-Z,.38MPT X .50T	

Models: **H4RE  
RESERVOIR ASSY  
WET TANK  
ACCESSORY  
6 CHANNEL, ABS**



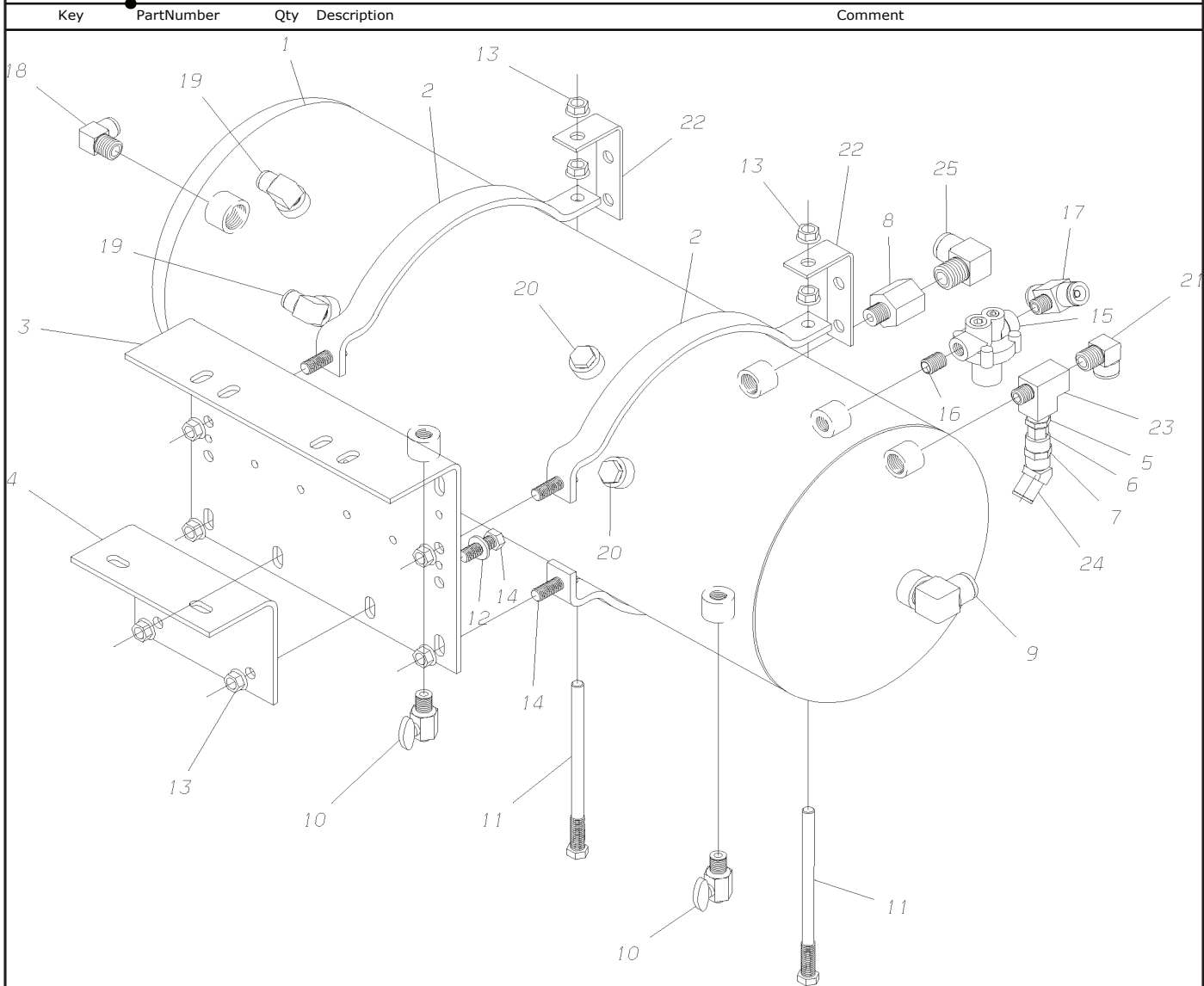
Key	PartNumber	Qty	Description	Comment
1	0014509	1	RESERVOIR,2000 CU. IN.,DUAL COMPARTMENT	
2	0850586	4	BRACKET,MTG,9 1/2IN,AIR RESERVOIR	
3	1999911	1	BRACKET,MTG,OPTIONAL AIR TANK,UPPER"	
4	1999929	1	BRACKET,MTG,OPTIONAL AIR TANK,LOWER	
5	2027241	1	ELBOW,STREET,90 DEG,3/8MPT X	
6	2027134	1	BUSHING,PIPE,3/8 X 1/4,BRASS	
7	1448091	1	VALVE,CHECK,1/4 X 1/4 MALE PT	
8	2027175	1	COUPLING, PIPE, 1/4	
9	0009924	1	CONNECTOR,MALE,1868X6-Z, .25MPT X .38T"	



**Models:** H4RE  
 RESERVOIR ASSY  
 WET TANK  
 ACCESSORY  
 6 CHANNEL, ABS

Key	PartNumber	Qty	Description	Comment
10	0970327	1	ADAPTER,1/2 FPT TO 3/8 MPT,PARKER 222P-8-6	
11	0009908	2	ELBOW,90 DEG,MALE1869X10-Z,.50MPT X .63T	
12	1110188	2	VALVE,RESERVOIR,DRAIN	
13	0851337	2	CAPSCREW,HEX HD,3/8-16X6 1/2,GR5,YEL	
14	1107085	8	WASHER,FLAT,13/32 X 13/16 X 3/32,HDN,BLK	
15	1013689	8	NUT,HEX HD,3/8-16,WASHER SER,YEL ZN DICH	
16	0803213	6	CAPSCREW,HEX HD,3/8-16X1 1/4,GR8,YEL	
17	0522508	1	VALVE,PRESS PROTECTION,65 PSI	
18	2027183	1	NIPPLE,1/4 CLOSE,BRASS	
19	0009914	1	ELBOW,90 DEG,MALE1869X6-Z,.25MPT X .38T"	
20	0009909	1	ELBOW,90 DEG,MALE1869X6X8-Z,.50MPT	
21	0009911	2	ELBOW,90 DEG,MALE1869X6X6-Z,.38MPT	
22	3772159	1	PLUG,PIPE,0.375,BRASS W/SEALANT,HEX HD	
23	0009906	1	ELBOW,90 DEG,MALE1869X8-Z,.38MPT X .50T	

**Models:** H4RE  
**RESERVOIR ASSY**  
**WET TANK**  
**ACCESSORY**  
**6 CHANNEL, ABS**  
**BSN:** From CSN 07/13/03

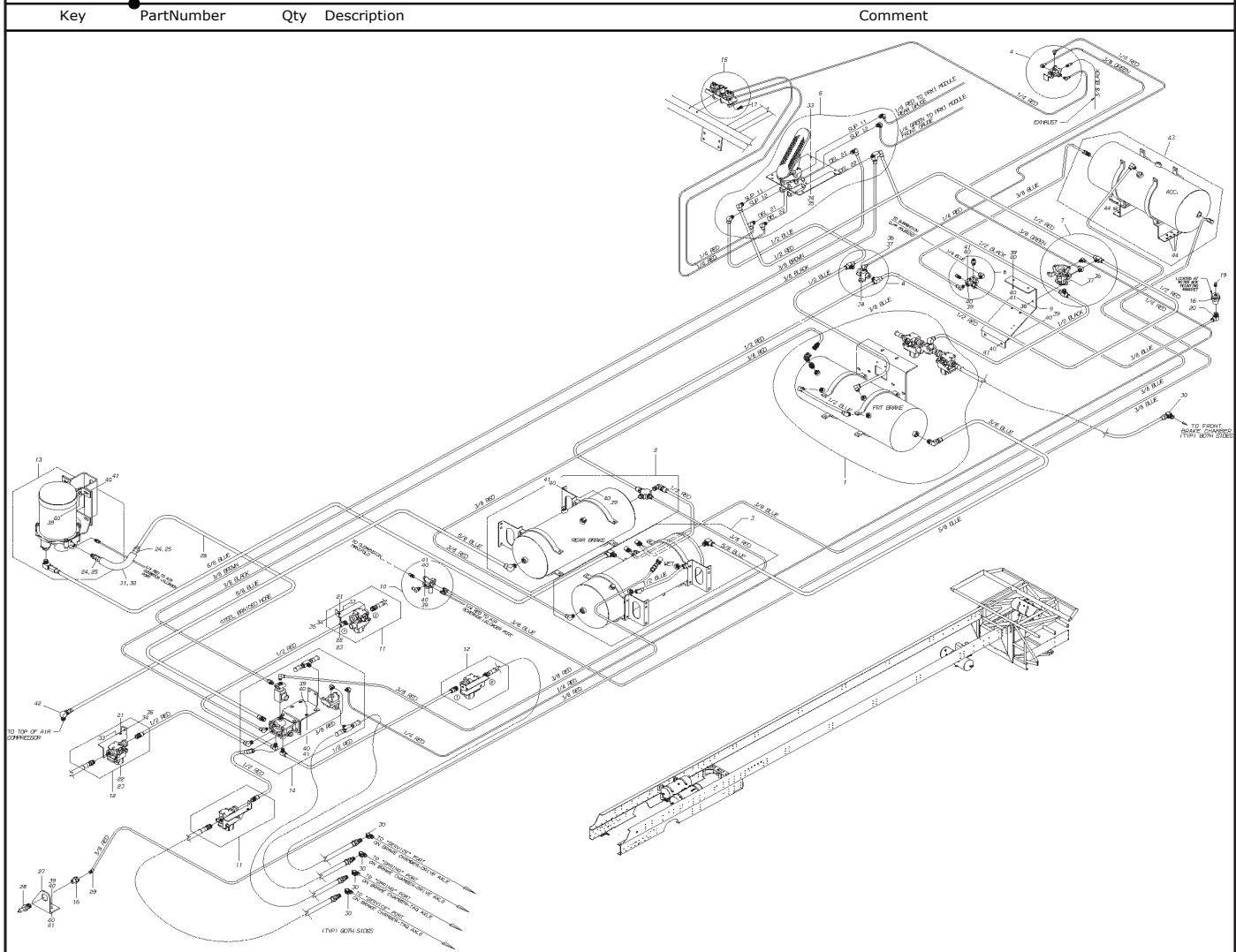


Key	PartNumber	Qty	Description	Comment
1	0014509		RESERVOIR,2000 CU. IN.,DUAL COMPARTMENT	
2	0850586	4	BRACKET,MTG,9 1/2IN,AIR RESERVOIR	
3	1999911		BRACKET,MTG,OPTIONAL AIR TANK,UPPER"	
4	1999929		BRACKET,MTG,OPTIONAL AIR TANK,LOWER	
5	2027134		BUSHING,PIPE,3/8 X 1/4,BRASS	
6	1448091		VALVE,CHECK,1/4 X 1/4 MALE PT	

**Models:** H4RE  
**RESERVOIR ASSY**  
**WET TANK**  
**ACCESSORY**  
**6 CHANNEL, ABS**  
**BSN:** From CSN 07/13/03

Key	PartNumber	Qty	Description	Comment
7	2027175		COUPLING, PIPE, 1/4	
8	0970327		ADAPTER,1/2 FPT TO 3/8 MPT,PARKER 222P-8-6	
9	0009908		ELBOW,90 DEG,MALE1869X10-Z,.50MPT X .63T	
10	1110188	2	VALVE,RESERVOIR,DRAIN	
11	0851337	2	CAPSCREW,HEX HD,3/8-16X6 1/2,GR5,YEL	
12	1107085	2	WASHER,FLAT,13/32 X 13/16 X 3/32,HDN,BLK	
13	1013689	10	NUT,HEX HD,3/8-16,WASHER SER,YEL ZN DICH	
14	0803213	6	CAPSCREW,HEX HD,3/8-16X1 1/4,GR8,YEL	
15	0522508		VALVE,PRESS PROTECTION,65 PSI	
16	2027183		NIPPLE,1/4 CLOSE,BRASS	
17	0009926		TEE,MALE,BRANCH,1872X6-Z,.25MPT X .38T	
18	0009909		ELBOW,90 DEG,MALE1869X6X8-Z,.50MPT	
19	0009911	2	ELBOW,90 DEG,MALE1869X6X6-Z,.38MPT	
20	3772159	2	PLUG,PIPE,0.375,BRASS W/SEALANT,HEX HD	
21	0009906		ELBOW,90 DEG,MALE1869X8-Z,.38MPT X .50T	
22	1317247	2	BRACKET,ATCH,BRAKE LINE TO FRAME	
23	1010065		TEE,STREET,3/8 PIPE 3750 X 6	
24	0011946		ELBOW,45 DEG,MALE,1880X6-Z,.25MPT X .38T	
25	0009926		TEE,MALE,BRANCH,1872X6-Z,.25MPT X .38T	

**Models: H4RE, M4RE  
SYSTEM  
To CSN H4RE 07/13/03; M4RE 10/17/04**



Key	PartNumber	Qty	Description	Comment
1	0067157		RESERVOIR ASSY, BRAKE, FRT, M4RE	
1	0063279		RESERVOIR ASSY, BRAKE, FRT, ACSRY W/AUTO	FEATURE 40081-03 ONLY
2	0069422		RESERVOIR ASSY, BRAKE, REAR, M4RE	
2	0063280		RESERVOIR ASSY, BRAKE, REAR W/AUTO DV-2,	FEATURE 40081-03 ONLY
3	0067158		RESERVOIR, ASSEMBLY, WET, M4RE	
3	0063322		RESERVOIR ASSY, ACSRY, WET W/AUTO DV-2,	FEATURE 40081-03 ONLY
4	0032239		VALVE ASSY, PARKING BRAKE, PP-1, RCDA	

**Models: H4RE, M4RE  
SYSTEM  
To CSN H4RE 07/13/03; M4RE 10/17/04**

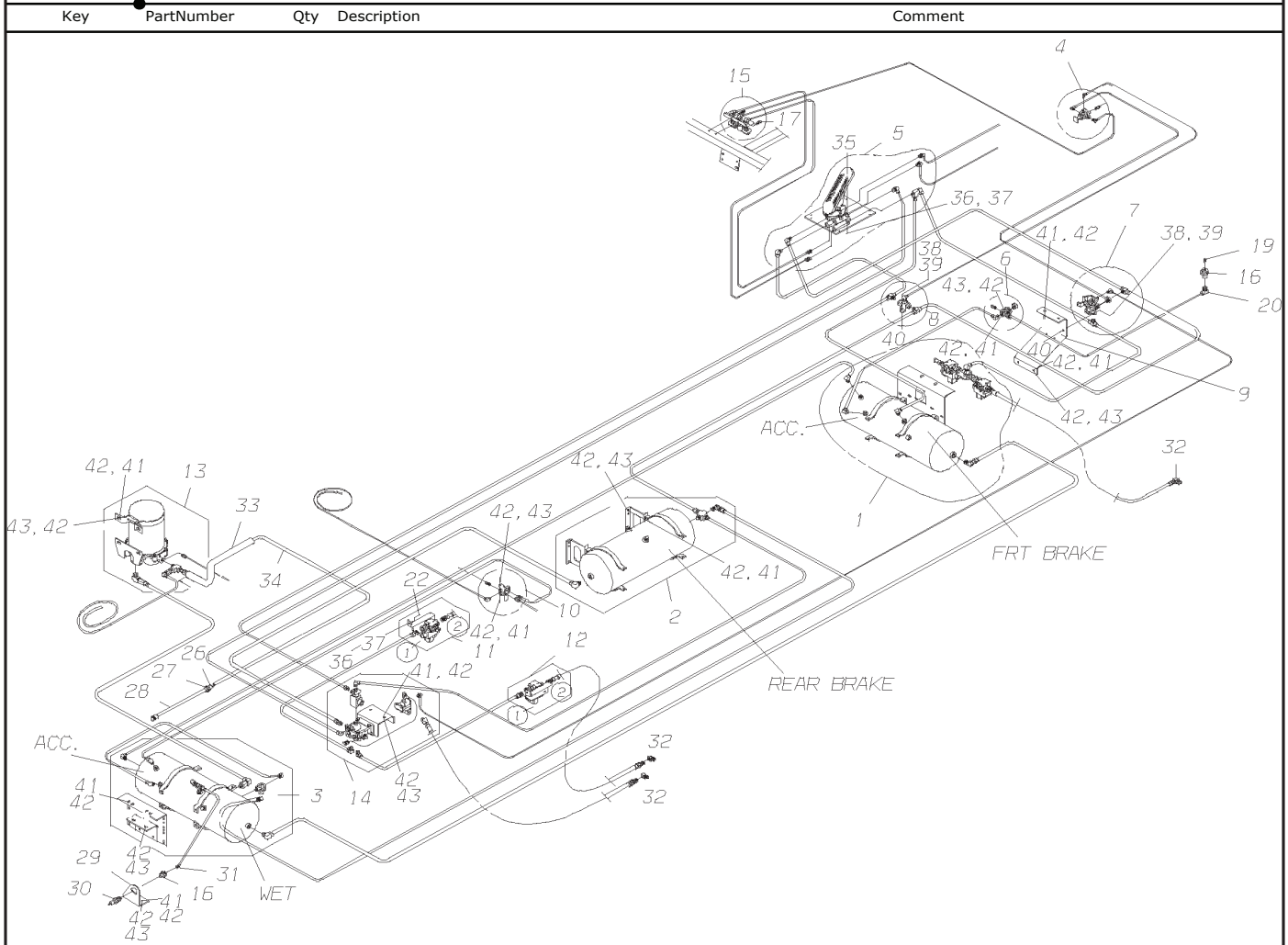
Key	PartNumber	Qty	Description	Comment
6	0045359		MANIFOLD ASSY,FRONT,AIR BRAKE,H4RE"	
7	0020805		VALVE ASSY,SPRING BRAKE,SR-1,RCDA	
8	0020761		VALVE ASSY,DOUBLE CHECK,RCDA	
9	0064916		BRACKET,STABILIZER,RESERVOIR,FRT,H4RE	
10	0046104		MANIFOLD ASSY,REAR,AIR BRAKE,H4RE"	
11	0045356	2	VALVE ASSY,MODULATOR,ABS,REAR,LH,H4RE"	
12	0045357	2	VALVE ASSY,MODULATOR,ABS,REAR,RH,H4RE"	
13	0060881		AIR DRYER,ASSY,AD-9,,H4/M4RE	<i>M4RE ONLY</i>
14	0059429		VALVE ASSY,QUICK REL AND R-12	
15	0043182		BRACKET ASSY,MTG,S/LGTS&PARK BRK	
16	2023232	2	COUPLING,ANCHOR,205465	
17	2000198	2	SCREW,5/16-18 X 1,D,HEX HD,YEL ZN DICH	
18			CURRENTLY NOT USED	
19	2023513		PLUG,PIPE,1/4,ALLEN HEX HD,BRASS	
20	0009914		ELBOW,90 DEG,MALE1869X6-Z,.25MPT X .38"	
21	0870477	4	CAPSCREW,HEX HD,1/4-20 X 1,GR 8,YEL ZN	
22	1467000	4	WASHER,FLAT,.281 X.750X.078 HARDENED,BLK	
23	2001345	4	NUT,HEX HD,1/4-20,LOCKING,YELLOW	
24	2026763	2	FERRULE,60 X 10 5/8 IN	
25	2055846	2	NUT	
26	1612712		HOSE ASSY,AIR CMPR,DISCH,72 LONG	
27	1881101		BRACKET MTG,SCHRADER VALVE	

**Models: H4RE, M4RE  
SYSTEM  
To CSN H4RE 07/13/03; M4RE 10/17/04**

Key	PartNumber	Qty	Description	Comment
28	0818609		VALVE,SCHRADER,1/4 MPT	
29	0011946		ELBOW,45 DEG,MALE,1880X6-Z,-25MPT X .38T	
30	2027241	10	ELBOW,STREET,90 DEG,3/8MPT X	
31	1741925	.5	INSULATION,PIPE,POLYETHYLENE,1/2 THICK	
32	2027407	1.5	TUBING,COPPER,5/8,TYPE L (S04060)	
33	0854406	45	CAPSCREW, HEX HD, 5/16-18 X 1, GR8, YEL ZN	
34	1167485	6	WASHER,FLAT,11/32 X 11/16 X 5/64,HDN,BLK	
35	1465954	6	NUT,HEX HD,5/16-18,LK,NYLON INSERT,YEL	
36	1085604	4	CAPSCREW,HEX HD,5/16-18X1 3/4,GR8,	
37	2001121	4	WASHER, FLAT, 5/16 X 3/4, X 5/64, YEL ZN	
38	1981844	4	NUT,HEX HD,5/16-18,LOCK,YEL DICH	
39	0803213	26	CAPSCREW,HEX HD,3/8-16X1 1/4,GR8,YEL	
40	1107085	52	WASHER,FLAT,13/32 X 13/16 X 3/32,HDN,BLK	
41	0826297	26	NUT,HEX HD,3/8-16 LOCK,YEL ZN DICH	
42	2026706		ELBOW,49X10,1/2MPT X 5/8 TUBE,FLARE	
43	0067501		RESERVOIR,ASSEMBLY,ACCESSORY,M4RE	
	0067156		RESERVOIR,ASSY,FRT BRK,W/AUTO DV-2	FEATURE 40081-20 ONLY
44	1576172	6	SCREW,HEX,WASH,5/16X3/4,TYPE F,YEL ZN	



**Models:** H4RE  
**SYSTEM**  
**6 CHANNEL, ABS**  
**248 WB WITH BL 3807**  
**With:** WITH FEATURE 40191-01  
 To CSN 07/17/05



Key	PartNumber	Qty	Description	Comment
1	0045249		RESERVOIR ASSY,FRONT BRAKE,ACCESSORY,	
2	0045355		RESERVOIR ASSY,REAR,AIR BRAKE,H4RE"	
3	0045248		RESERVOIR ASSY,WET,ACCESSORY,H4RE	
4	0032239		VALVE ASSY,PARKING BRAKE,PP-1, RCDA	
NI	0032235		VALVE,PARKING BRAKE,PP-1	
5	0045361		VALVE ASSY,TREADLE AND PEDAL,ABS,6 CHN	
6	0045359		MANIFOLD ASSY,FRONT,AIR BRAKE,H4RE"	
NI	2023083		FITTING,MANIFOLD,212322	



**Models:** H4RE  
**SYSTEM**  
**6 CHANNEL, ABS**  
**248 WB WITH BL 3807**  
**With:** WITH FEATURE 40191-01  
**To CSN 07/17/05**

Key	PartNumber	Qty	Description	Comment
7	0020805		VALVE ASSY,SPRING BRAKE,SR-1,RCDA	
NI	0654426		VALVE,SPRING BRAKE	
8	0020761		VALVE ASSY,DOUBLE CHECK,RCDA	
NI	0654434		VALVE,DOUBLE CHECK,3/8 PIPE	
9	0040248		BRACKET,STAB,RESVR,2000 CU.IN.,FRONT	
10	0046104		MANIFOLD ASSY,REAR,AIR BRAKE,H4RE"	
11	0045356		VALVE ASSY,MODULATOR,ABS,REAR,LH,H4RE"	
12	0045357		VALVE ASSY,MODULATOR,ABS,REAR,RH,H4RE"	
13	0045360		AIR DRYER ASSY,AD-9,H4RE"	
14	0045358		VALVE ASSY,QUICK REL AND R-12 RELAY,H4RE"	
15	0043182		BRACKET ASSY,MTG,S/LGTS&PARK BRK	
16	2023232	2	COUPLING,ANCHOR,205465	
17	2000198	2	SCREW,5/16-18 X 1,D,HEX HD,YEL ZN DICH	
19	2023513		PLUG,PIPE,1/4,ALLEN HEX HD,BRASS	
20	0009914		ELBOW,90 DEG,MALE1869X6-Z,.25MPT X .38T"	
22	0870477	2	CAPSCREW,HEX HD,1/4-20 X 1,GR 8,YEL ZN	
26	2026763		FERRULE,60 X 10 5/8 IN	
27	2055846		NUT	
28	1027975		** PART NOT FOUND **	
29	1881101		BRACKET MTG,SCHRADER VALVE	
30	0818609		VALVE,SCHRADER,1/4 MPT	
31	0011946		ELBOW,45 DEG,MALE,1880X6-Z,.25MPT X .38T	
32	2027241	4	ELBOW,STREET,90 DEG,3/8MPT X	

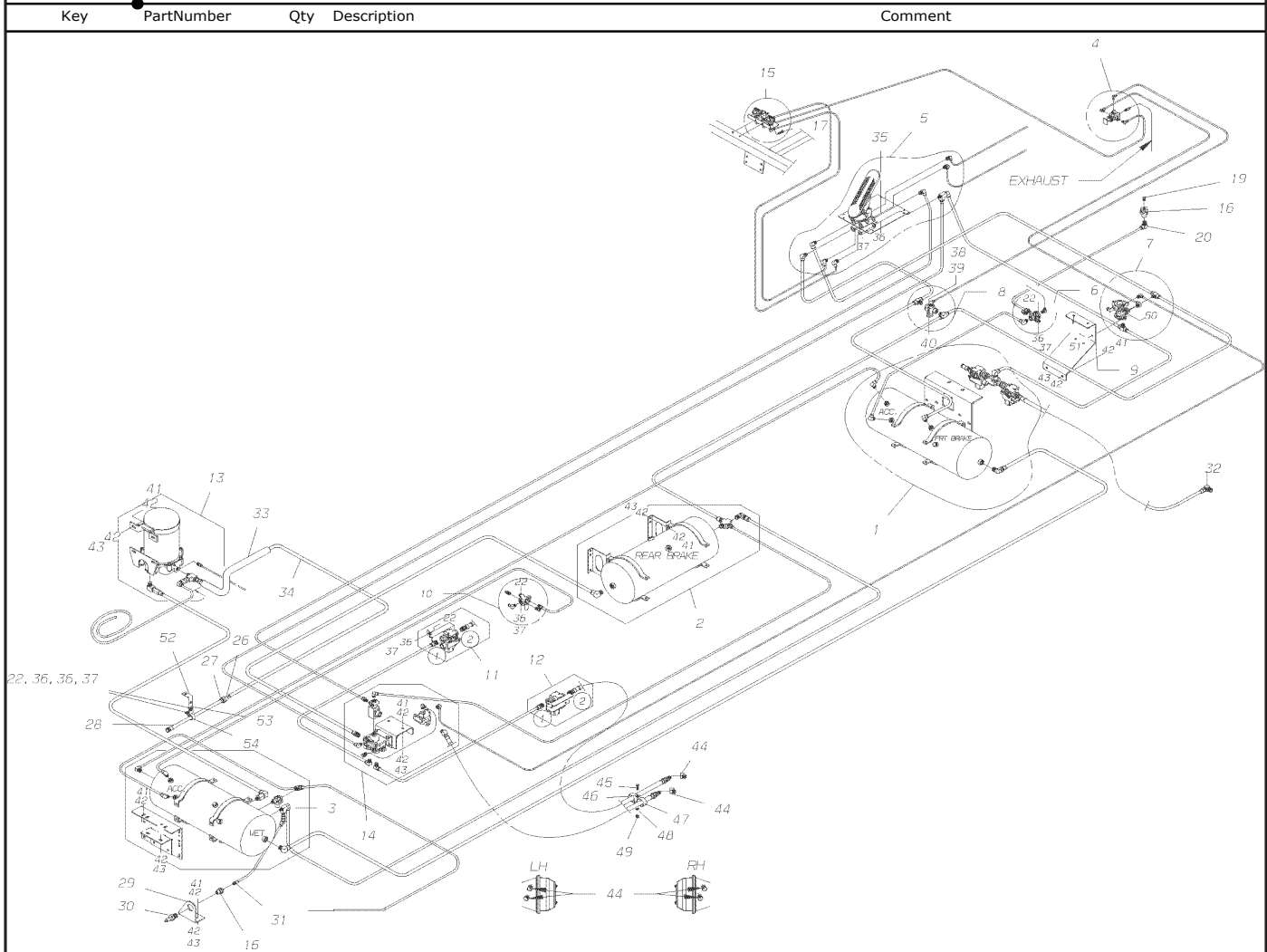
**Models:** H4RE  
**SYSTEM**  
**6 CHANNEL, ABS**  
**248 WB WITH BL 3807**

**With:** WITH FEATURE 40191-01  
**To CSN 07/17/05**

Key	PartNumber	Qty	Description	Comment
33	1741925	.5	INSULATION,PIPE,POLYETHYLENE,1/2 THICK	
34	2027407	9	TUBING,COPPER,5/8,TYPE L (S04060)	
35	2000081	45	CAPSCREW,HEX HD,1/4-20X1 1/2,GR8,YEL	
36	1467000	6	WASHER,FLAT,,.281 X.750X.078 HARDENED,BLK	
37	2001345	6	NUT,HEX HD,1/4-20,LOCKING,YELLOW	
38	1085604	4	CAPSCREW,HEX HD,5/16-18X1 3/4,GR8,	
39	2001121	4	WASHER, FLAT, 5/16 X 3/4, X 5/64, YEL ZN	
40	1981844	4	NUT,HEX HD,5/16-18,LOCK,YEL DICH	
41	0803213	26	CAPSCREW,HEX HD,3/8-16X1 1/4,GR8,YEL	
42	1107085	52	WASHER,FLAT,13/32 X 13/16 X 3/32,HDN,BLK	
43	0826297	26	NUT,HEX HD,3/8-16 LOCK,YEL ZN DICH	



**Models:** H4RE  
**SYSTEM**  
**6 CHANNEL, ABS**  
**248 WB WITH BL 3807**  
**With:** WITH FEATURE 40191-02  
**BSN:** From CSN 07-17-03



Key	PartNumber	Qty	Description	Comment
1	0045249		RESERVOIR ASSY,FRONT BRAKE,ACCESSORY,	
2	0045355		RESERVOIR ASSY,REAR,AIR BRAKE,H4RE"	
3	0065800		RESERVOIR ASSY,ACCESSORY,WET,ISL03,H4RE	
4	0032239		VALVE ASSY,PARKING BRAKE,PP-1, RCDA	
5	0045361		VALVE ASSY,TREADLE AND PEDAL,ABS,6 CHN	
6	0045359		MANIFOLD ASSY,FRONT,AIR BRAKE,H4RE"	
7	0020805		VALVE ASSY,SPRING BRAKE,SR-1,RCDA	
8	0020761		VALVE ASSY,DOUBLE CHECK,RCDA	

**Models:** H4RE  
**SYSTEM**  
**6 CHANNEL, ABS**  
**248 WB WITH BL 3807**  
**With:** WITH FEATURE 40191-02  
**BSN:** From CSN 07-17-03

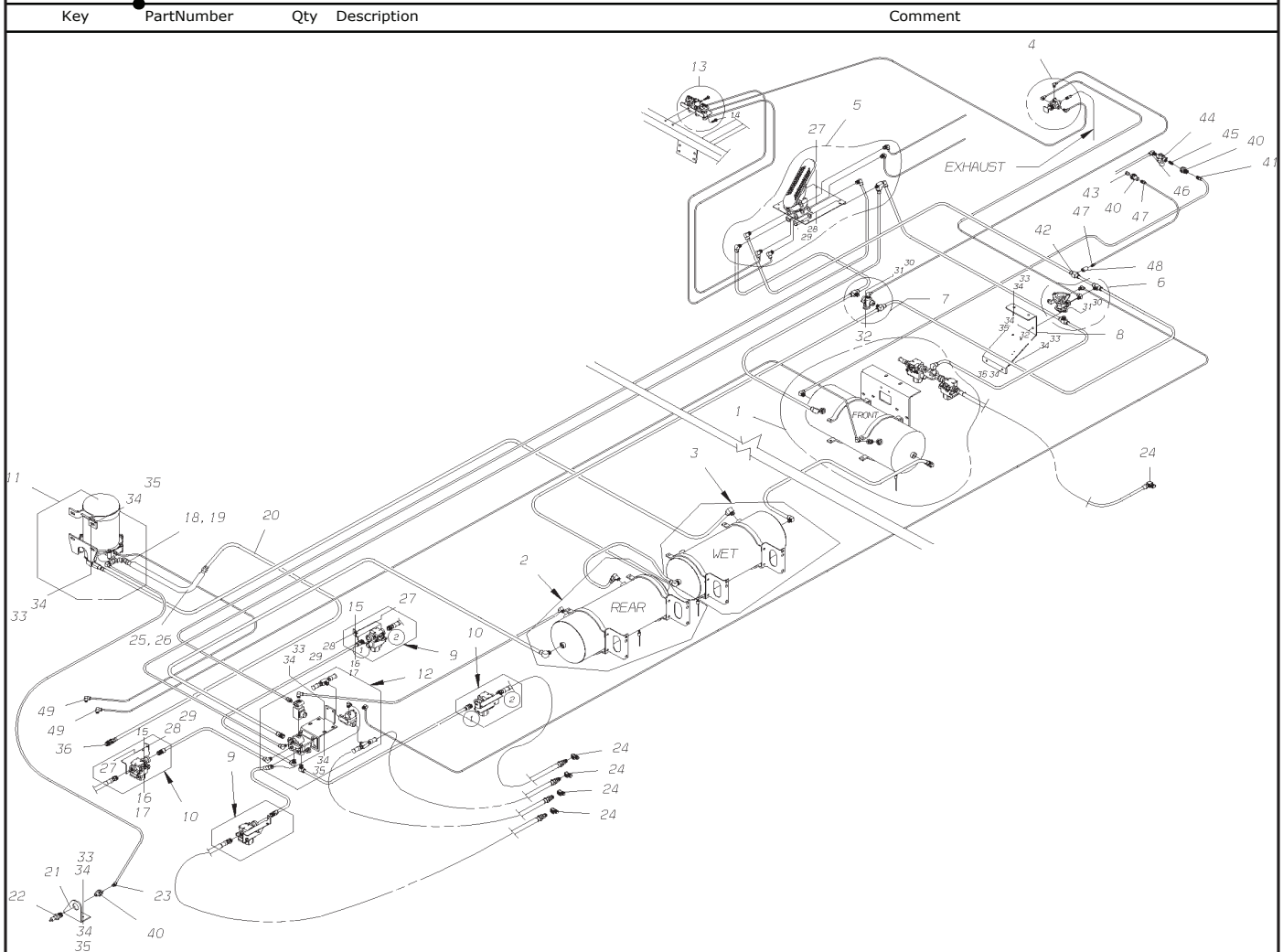
Key	PartNumber	Qty	Description	Comment
9	0040248		BRACKET,STAB,RESVR,2000 CU.IN.,FRONT	
10	0046104		MANIFOLD ASSY,REAR,AIR BRAKE,H4RE"	
11	0045356		VALVE ASSY,MODULATOR,ABS,REAR,LH,H4RE"	
12	0045357		VALVE ASSY,MODULATOR,ABS,REAR,RH,H4RE"	
13	0045360		AIR DRYER ASSY,AD-9,H4RE"	
14	0045358		VALVE ASSY,QUICK REL AND R-12 RELAY,H4RE"	
15	0043182		BRACKET ASSY,MTG,S/LGTS&PARK BRK	
16	2023232	2	COUPLING,ANCHOR,205465	
17	2000198	2	SCREW,5/16-18 X 1,D,HEX HD,YEL ZN DICH	
19	2023513		PLUG,PIPE,1/4,ALLEN HEX HD,BRASS	
20	0009914		ELBOW,90 DEG,MALE1869X6-Z,.25MPT X .38T"	
22	0870477		CAPSCREW,HEX HD,1/4-20 X 1,GR 8,YEL ZN	
26	2026763		FERRULE,60 X 10 5/8 IN	
27	2055846		NUT	
28	1024975		HOSE ASSY,AIR CMPR DISCH,30 LONG	
29	1881101		BRACKET MTG,SCHRADER VALVE	
30	0818609		VALVE,SCHRADER,1/4 MPT	
31	0011946		ELBOW,45 DEG,MALE,1880X6-Z,.25MPT X .38T	
32	2027241	2	ELBOW,STREET,90 DEG,3/8MPT X	
33	1741925	AR	INSULATION,PIPE,POLYETHYLENE,1/2 THICK	
34	2027407	AR	TUBING,COPPER,5/8,TYPE L (S04060)	
35	2000081	AR	CAPSCREW,HEX HD,1/4-20X1 1/2,GR8,YEL	
36	1467000	AR	WASHER,FLAT,.281 X.750X.078 HARDENED,BLK	

**Models:** H4RE  
**SYSTEM**  
**6 CHANNEL, ABS**  
**248 WB WITH BL 3807**  
**With:** WITH FEATURE 40191-02  
**BSN:** From CSN 07-17-03

Key	PartNumber	Qty	Description	Comment
37	2001345	AR	NUT,HEX HD,1/4-20,LOCKING,YELLOW	
38	1085604		CAPSCREW,HEX HD,5/16-18X1 3/4,GR8,	
39	2001121		WASHER, FLAT, 5/16 X 3/4, X 5/64, YEL ZN	
40	1981844		NUT,HEX HD,5/16-18,LOCK,YEL DICH	
41	0803213	AR	CAPSCREW,HEX HD,3/8-16X1 1/4,GR8,YEL	
42	1107085	AR	WASHER,FLAT,13/32 X 13/16 X 3/32,HDN,BLK	
43	0826297	AR	NUT,HEX HD,3/8-16 LOCK,YEL ZN DICH	
44	2008282	AR	ELBOW,STREET,45 DEG,3350X6Z,BRASS	
45	1504018	AR	CAPSCREW,HEX HD,1/4-20X1 1/8,GR5,YEL	
46	2001121	AR	WASHER, FLAT, 5/16 X 3/4, X 5/64, YEL ZN	
47	0557710	AR	CLAMP,LOOP,.812	
48	2001170	AR	LOCK WASHER, SPLIT RING, 1/4 , MED, YEL ZN	
49	2001329	AR	NUT,HEX HD,1/4-20,YELLOW DICHROMATE"	
50	0610725	AR	CAPSCREW,HEX HD,5/16-18X1 1/4,GR8,	
51	0829390	AR	NUT, HEX HD, 5/16-18, SER WASHER, YEL ZN	
52	1317247		BRACKET,ATCH,BRAKE LINE TO FRAME	
53	1501097		BRACKET,ATCH,BRAKE LINE TO FRAME	
54	1517168		CLAMP,LOOP,.937	
NI	1109271		LOOM,CORRUGATED,BLACK,NYLON,3/4 ID,SS	



**Models:** H4RE  
**SYSTEM**  
**6 CHANNEL, ABS**  
**296 WB WITH BL 4400**  
**BSN:** From CSN 02-23-04  
 To CSN 10-18-04



Key	PartNumber	Qty	Description	Comment
1	0070433		RESERVOIR,ASSY,FRT BRAKE,45H4RE	
2	0070434		RESERVOIR,ASSY,REAR BRAKE,45H4RE	
3	0070063		RESERVOIR,ASSY,WET BRAKE TANK,45H4RE	
4	0032239		VALVE ASSY,PARKING BRAKE,PP-1, RCDA	
5	0045361		VALVE ASSY,TREADLE AND PEDAL,ABS,6 CHN	
6	0020805		VALVE ASSY,SPRING BRAKE,SR-1,RCDA	
7	0020761		VALVE ASSY,DOUBLE CHECK,RCDA	
8	0064916		BRACKET,STABILIZER,RESERVOIR,FRT,H4RE	



**Models:** H4RE  
**SYSTEM**  
**6 CHANNEL, ABS**  
**296 WB WITH BL 4400**

**BSN:** From CSN 02-23-04  
 To CSN 10-18-04

Key	PartNumber	Qty	Description	Comment
9	0045356	2	VALVE ASSY,MODULATOR,ABS,REAR,LH,H4RE"	
10	0045357	2	VALVE ASSY,MODULATOR,ABS,REAR,RH,H4RE"	
11	0045360		AIR DRYER ASSY,AD-9,H4RE"	
12	0059429		VALVE ASSY,QUICK REL AND R-12	
13	0043182		BRACKET ASSY,MTG,S/LGTS&PARK BRK	
14	2000198	2	SCREW,5/16-18 X 1,D,HEX HD,YEL ZN DICH	
15	0870477	4	CAPSCREW,HEX HD,1/4-20 X 1,GR 8,YEL ZN	
16	1467000		WASHER,FLAT,.281 X.750X.078 HARDENED,BLK	
17	2001345	4	NUT,HEX HD,1/4-20,LOCKING,YELLOW	
18	2026763	2	FERRULE,60 X 10 5/8 IN	
19	2055846	2	NUT	
20	1612712		HOSE ASSY,AIR CMPR,DISCH,72 LONG	
21	1881101		BRACKET MTG,SCHRADER VALVE	
22	0818609		VALVE,SCHRADER,1/4 MPT	
23	0011946		ELBOW,45 DEG,MALE,1880X6-Z,.25MPT X .38T	
24	2027241	10	ELBOW,STREET,90 DEG,3/8MPT X	
25	1741925	AR	INSULATION,PIPE,POLYETHYLENE,1/2 THICK	
26	2027407	AR	TUBING,COPPER,5/8,TYPE L (S04060)	
27	0854406		CAPSCREW, HEX HD, 5/16-18 X 1, GR8, YEL ZN	
28	1167485	AR	WASHER,FLAT,11/32 X 11/16 X 5/64,HDN,BLK	
29	1465954		NUT,HEX HD,5/16-18,LK,NYLON INSERT,YEL	
30	1085604		CAPSCREW,HEX HD,5/16-18X1 3/4,GR8,	
31	2001121		WASHER, FLAT, 5/16 X 3/4, X 5/64, YEL ZN	

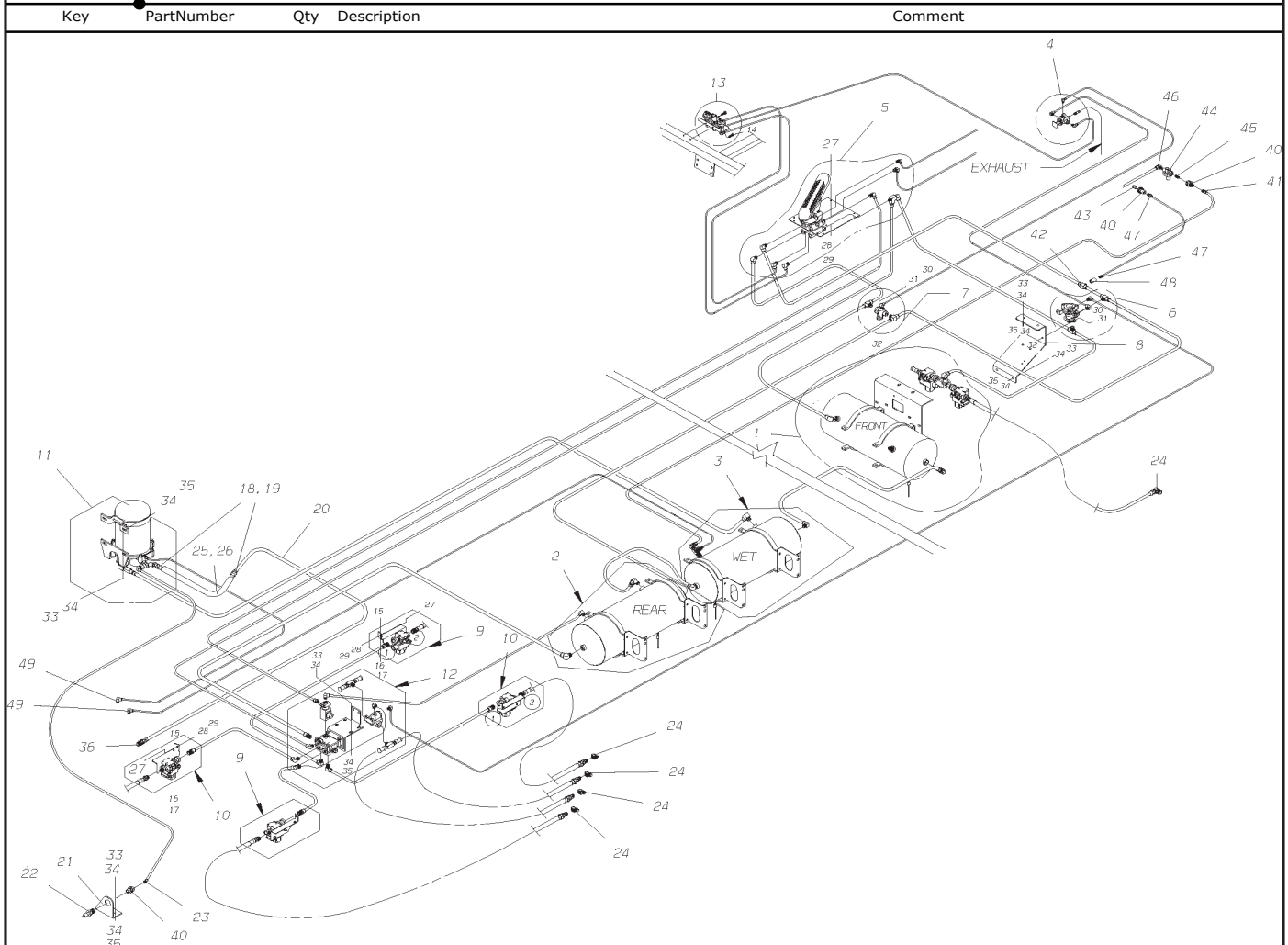
**Models:** H4RE  
**SYSTEM**  
**6 CHANNEL, ABS**  
**296 WB WITH BL 4400**

**BSN:** From CSN 02-23-04  
 To CSN 10-18-04

Key	PartNumber	Qty	Description	Comment
32	1981844		NUT,HEX HD,5/16-18,LOCK,YEL DICH	
33	0803213		CAPSCREW,HEX HD,3/8-16X1 1/4,GR8,YEL	
34	1107085		WASHER,FLAT,13/32 X 13/16 X 3/32,HDN,BLK	
35	0826297		NUT,HEX HD,3/8-16 LOCK,YEL ZN DICH	
36	0076651		ADAPTER,STR,37DEG FL,ORING,WHC5315X10"	
37	0803239		CAPSCREW, HEX HD, 1/2-13 X1 1/2, GR8	
38	1003045		WASHER, FLAT,1 7/32 X 1 1/16 X 7/64, HDN,	
39	0850800		NUT, HEX HD, 1/2-13, LOCKING, GR 8, CAD	
40	2023232	3	COUPLING,ANCHOR,205465	
41	0009924		CONNECTOR,MALE,1868X6-Z,.25MPT X .38T"	
42	0009927		TEE,MALE,BRANCH,1872X8X4-Z,.25MPT X .50T	
43	2506285		PLUG,HEX HD,3152 X 4 1/4	
44	0522508		VALVE,PRESS PROTECTION,65 PSI	
45	2027183		NIPPLE,1/4 CLOSE,BRASS	
46	0009914		ELBOW,90 DEG,MALE1869X6-Z,.25MPT X .38T"	
47	0009922	2	CONNECTOR, MALE, 1868X4X4-Z, .25MPT	
48	3807559		COUPLING,BRASS,1/4	
49	0009903	2	ELBOW, 90 DEG, MALE, 1869X4-Z, .13MPT	



**Models:** H4RE  
**SYSTEM**  
**6 CHANNEL, ABS**  
**296 WB WITH BL 4400**  
**BSN:** From CSN 10/18/04



Key	PartNumber	Qty	Description	Comment
1	0082221		RESERVOIR,ASSY,BRAKE,FRONT,TANK,45H4RE	
2	0070434		RESERVOIR,ASSY,REAR BRAKE,45H4RE	
3	0082220		RESERVOIR ASSY,RESV,BRAKE TANK,45H4RE	
4	0032239		VALVE ASSY,PARKING BRAKE,PP-1, RCDA	
5	0045361		VALVE ASSY,TREADLE AND PEDAL,ABS,6 CHN	
5	0092427		PEDAL ASSY,VALVE,ABS,6 CHAN, H4RE	WITH FEATURE 40099-02
6	0020805		VALVE ASSY,SPRING BRAKE,SR-1,RCDA	
7	0020761		VALVE ASSY,DOUBLE CHECK,RCDA	

**Models: H4RE  
SYSTEM  
6 CHANNEL, ABS  
296 WB WITH BL 4400**  
**BSN: From CSN 10/18/04**

Key	PartNumber	Qty	Description	Comment
8	0064916		BRACKET,STABILIZER,RESERVOIR,FRT,H4RE	
9	0045356	2	VALVE ASSY,MODULATOR,ABS,REAR,LH,H4RE"	
10	0045357	2	VALVE ASSY,MODULATOR,ABS,REAR,RH,H4RE"	
11	0045360		AIR DRYER ASSY,AD-9,H4RE"	
12	0059429		VALVE ASSY,QUICK REL AND R-12	
13	0043182		BRACKET ASSY,MTG,S/LGTS&PARK BRK	
14	2000198	2	SCREW,5/16-18 X 1,D,HEX HD,YEL ZN DICH	
15	0870477	4	CAPSCREW,HEX HD,1/4-20 X 1,GR 8,YEL ZN	
16	1467000		WASHER,FLAT,.281 X.750X.078 HARDENED,BLK	
17	2001345	4	NUT,HEX HD,1/4-20,LOCKING,YELLOW	
18	2026763	2	FERRULE,60 X 10 5/8 IN	
19	2055846	2	NUT	
20	1612712		HOSE ASSY,AIR CMPR,DISCH,72 LONG	
21	1881101		BRACKET MTG,SCHRADER VALVE	
22	0818609		VALVE,SCHRADER,1/4 MPT	
23	0011946		ELBOW,45 DEG,MALE,1880X6-Z,.25MPT X .38T	
24	2027241	10	ELBOW,STREET,90 DEG,3/8MPT X	
25	1741925	AR	INSULATION,PIPE,POLYETHYLENE,1/2 THICK	
26	2027407	AR	TUBING,COPPER,5/8,TYPE L (S04060)	
27	0854406		CAPSCREW, HEX HD, 5/16-18 X 1, GR8, YEL ZN	
28	1167485	AR	WASHER,FLAT,11/32 X 11/16 X 5/64,HDN,BLK	
29	1465954		NUT,HEX HD,5/16-18,LK,NYLON INSERT,YEL	
30	1085604		CAPSCREW,HEX HD,5/16-18X1 3/4,GR8,	

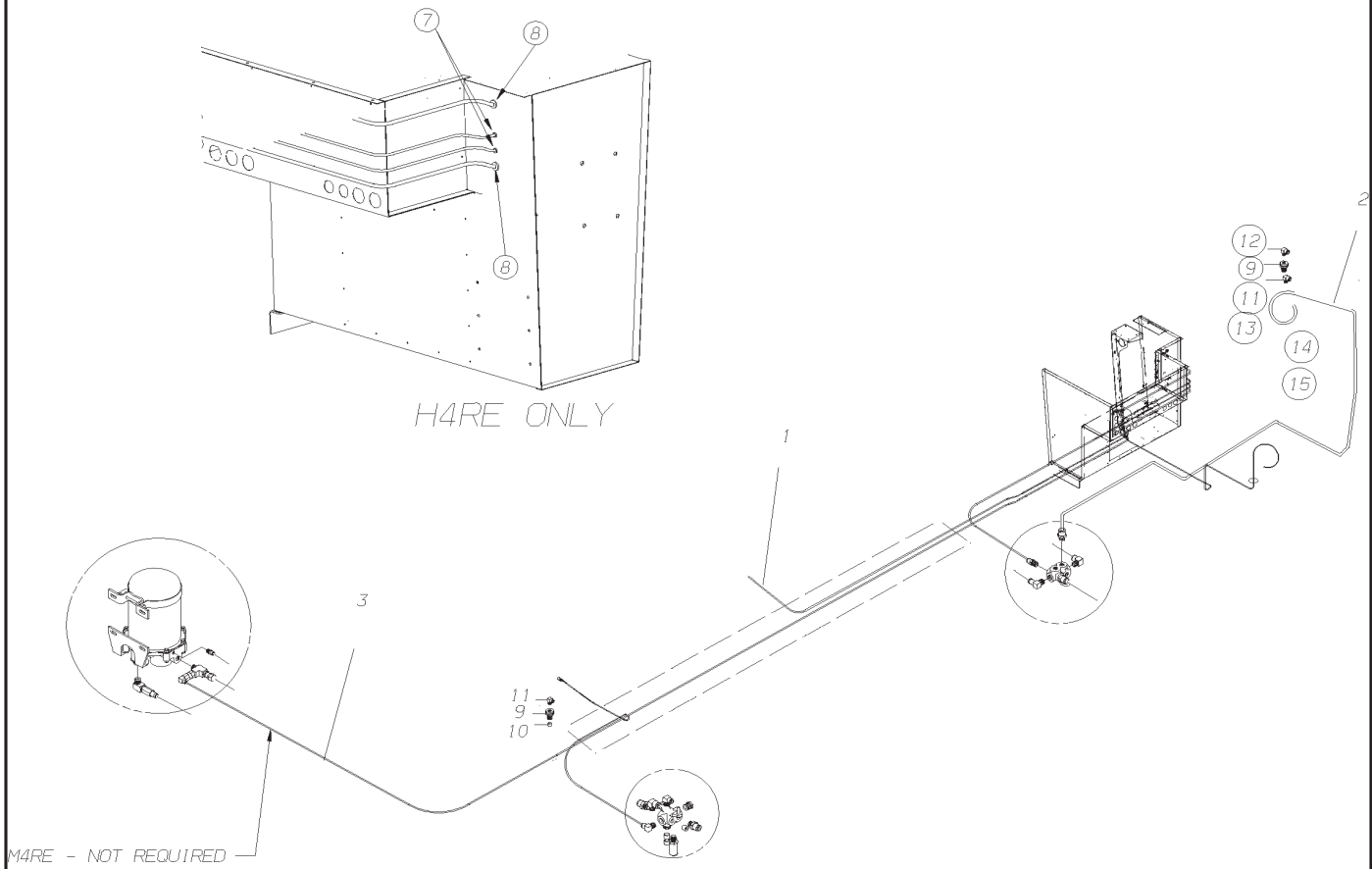
**Models:** H4RE  
**SYSTEM**  
**6 CHANNEL, ABS**  
**296 WB WITH BL 4400**  
**BSN:** From CSN 10/18/04

Key	PartNumber	Qty	Description	Comment
31	2001121		WASHER, FLAT, 5/16 X 3/4, X 5/64, YEL ZN	
32	1981844		NUT,HEX HD,5/16-18,LOCK,YEL DICH	
33	0803213		CAPSCREW,HEX HD,3/8-16X1 1/4,GR8,YEL	
34	1107085		WASHER,FLAT,13/32 X 13/16 X 3/32,HDN,BLK	
35	0826297		NUT,HEX HD,3/8-16 LOCK,YEL ZN DICH	
36	0076651		ADAPTER,STR,37DEG FL,ORING,WHC5315X10"	
37	0803239		CAPSCREW, HEX HD, 1/2-13 X1 1/2, GR8	
38	1003045		WASHER, FLAT,1 7/32 X 1 1/16 X 7/64, HDN,	
39	0850800		NUT, HEX HD, 1/2-13, LOCKING, GR 8, CAD	
40	2023232	3	COUPLING,ANCHOR,205465	
41	0009924		CONNECTOR,MALE,1868X6-Z,.25MPT X .38T"	
42	0009927		TEE,MALE,BRANCH,1872X8X4-Z,.25MPT X .50T	
43	2506285		PLUG,HEX HD,3152 X 4 1/4	
44	0522508		VALVE,PRESS PROTECTION,65 PSI	
45	2027183		NIPPLE,1/4 CLOSE,BRASS	
46	0009914		ELBOW,90 DEG,MALE1869X6-Z,.25MPT X .38T"	
47	0009922	2	CONNECTOR, MALE, 1868X4X4-Z, .25MPT	
48	3807559		COUPLING,BRASS,1/4	
49	0009903	2	ELBOW, 90 DEG, MALE, 1869X4-Z, .13MPT	
50	0992305		PLUG,PIPE,1/8,HEX SOCKET	
51	2023513		PLUG,PIPE,1/4,ALLEN HEX HD,BRASS	



Models: **H4RE, M4RE  
SYSTEM  
6 CHANNEL, ABS  
ACCESSORIES**

Key	PartNumber	Qty	Description	Comment
-----	------------	-----	-------------	---------



M4RE - NOT REQUIRED

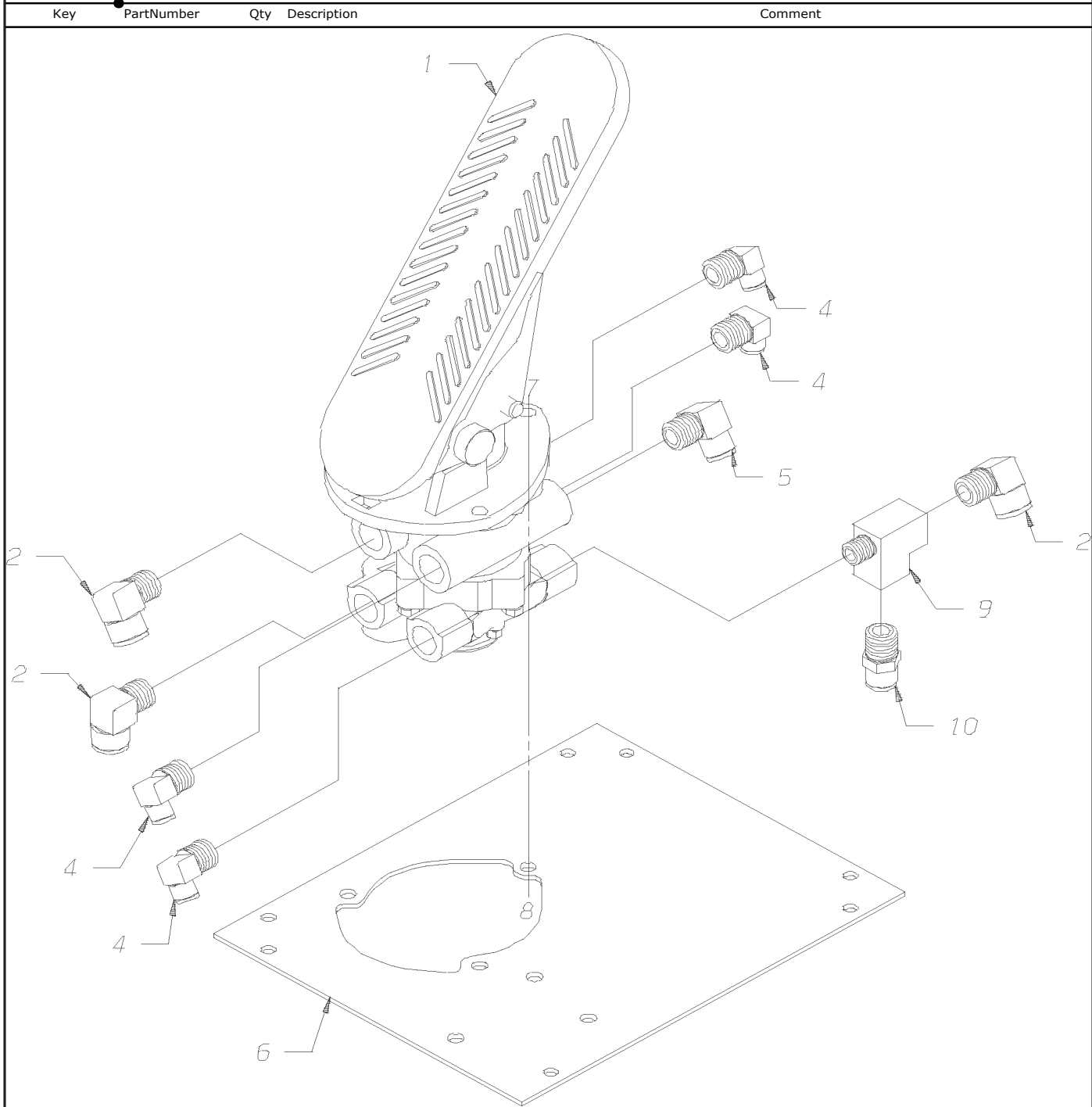
1	1346832		TUBING,PLASTIC,1/4 OD,RED,SAE J844 TYPE A
2	1220037		TUBING,PLASTIC,3/8 OD,RED,SAE J844 TYPE B
3	0012443		TUBING,PLASTIC,3/8 OD,GREEN,SAE J844 TYPE
5	1510775	8	LOOM,CORRUGATED,BLACK NYLON,1/4 ID,SS
6	2272862	10	LOOM,CORRUGATED,BLACK,NYLON,3/8ID,SS
7	0053652	2	GROMMET,RUBBER,1/4IDX.0625WALL"
8	2003218	2	GROMMET,RUBBER,3/8 ID
9	2023232	2	COUPLING,ANCHOR,205465
10	2023513	2	PLUG,PIPE,1/4,ALLEN HEX HD,BRASS
11	0009912	2	ELBOW, 90 DEG, MALE, 1869X4X4-Z,.25MPT



**Models: H4RE, M4RE  
SYSTEM  
6 CHANNEL, ABS  
ACCESSORIES**

Key	PartNumber	Qty	Description	Comment
12	0009914		ELBOW,90 DEG,MALE1869X6-Z,.25MPT X .38T"	
13	1346790	AR	TUBING,PLASTIC,1/4 OD,GREEN,SAE J844 TYPE	

**Models: H4RE  
VALVE ASSY  
BRAKE TREADLE & PEDAL  
6 CHANNEL, ABS**



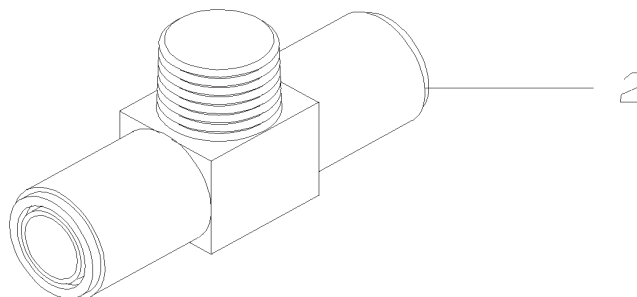
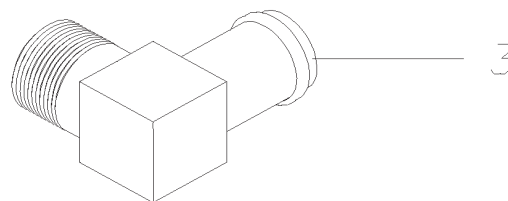
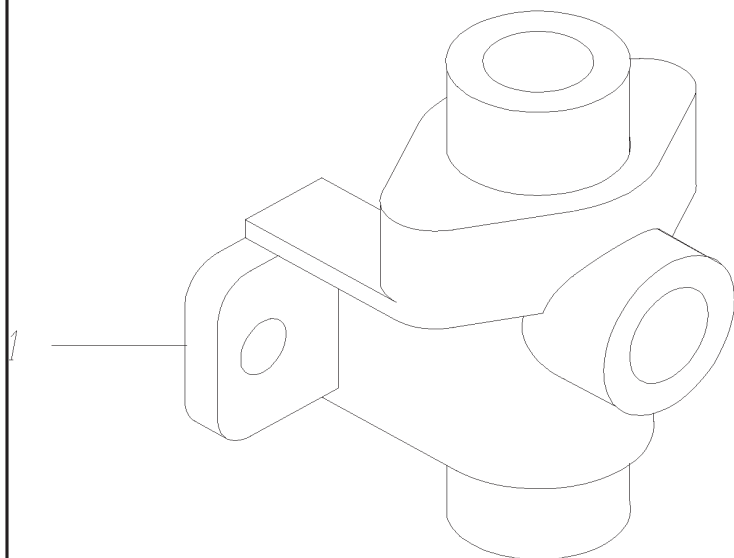
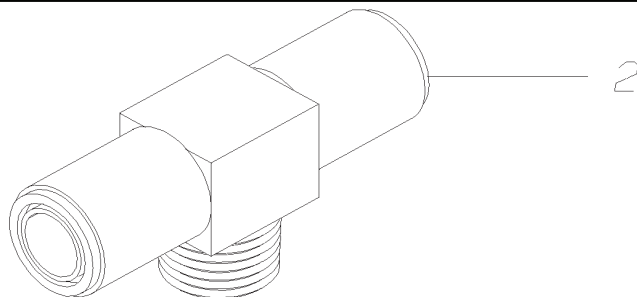
Key	PartNumber	Qty	Description	Comment
1	0020837	1	VALVE,TREADLE & PEDAL,AIR BRAKE	
2	0009906	3	ELBOW,90 DEG,MALE1869X8-Z,.38MPT X .50T	

**Models: H4RE  
VALVE ASSY  
BRAKE TREADLE & PEDAL  
6 CHANNEL, ABS**

Key	PartNumber	Qty	Description	Comment
3	0023776	2	CONNECTOR,MALE,1868X4X6-Z,.38MPT X .25T	
4	0009913	2	ELBOW,90 DEG,MALE1869X4X6-Z,.38MPT	
5	0009911	1	ELBOW,90 DEG,MALE1869X6X6-Z,.38MPT	
6	0040322	1	PLATE,MTG,TREADLE AND ACCELERATOR, H4RE	
7	0854414	3	CAPSCREW,HEX HD,5/16-18X7/8,GR8,YEL ZN	
8	1981844	3	NUT,HEX HD,5/16-18,LOCK,YEL DICH	
9	1010065	1	TEE,STREET,3/8 PIPE 3750 X 6	
10	0009918	1	CONNECTOR,MALE,1868X6X6-Z,.38MPT X .38T"	

**Models:** B4RE, H4RE, Q4RE, W4RE  
**VALVE ASSY**  
**DOUBLE CHECK**  
**6 CHANNEL, ABS**  
**BSN:** From CSN 10052365 (03/06/00)

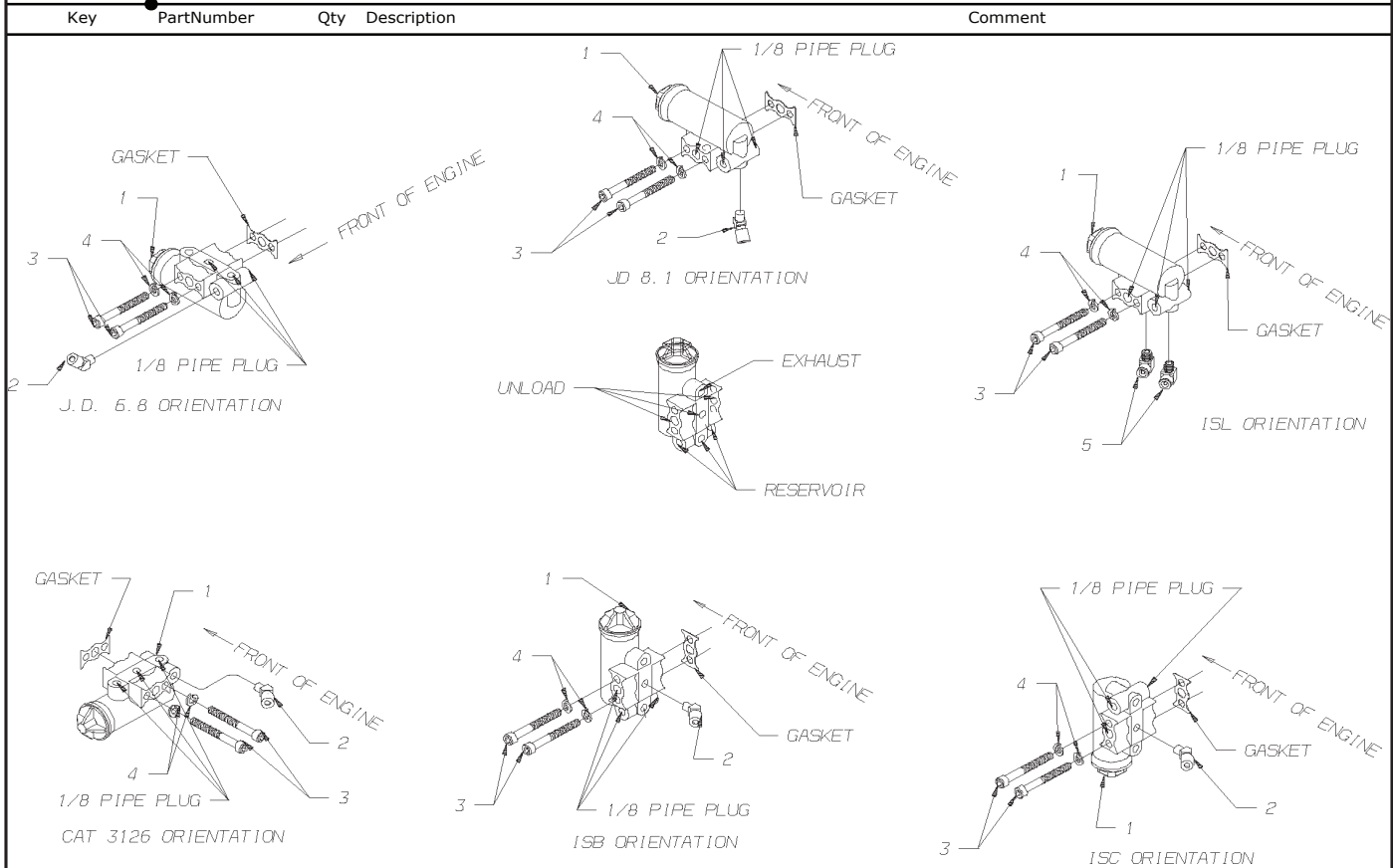
Key	PartNumber	Qty	Description	Comment
-----	------------	-----	-------------	---------



**Models:** B4RE, H4RE, Q4RE, W4RE  
VALVE ASSY  
DOUBLE CHECK  
6 CHANNEL, ABS  
**BSN:** From CSN 10052365 (03/06/00)

Key	PartNumber	Qty	Description	Comment
1	0654434	1	VALVE,DOUBLE CHECK,3/8 PIPE	
2	0009925	2	TEE,MALE,BRANCH,1872X8-Z,.38MPT X .50T	
3	0009913	1	ELBOW,90 DEG,MALE1869X4X6-Z,.38MPT	

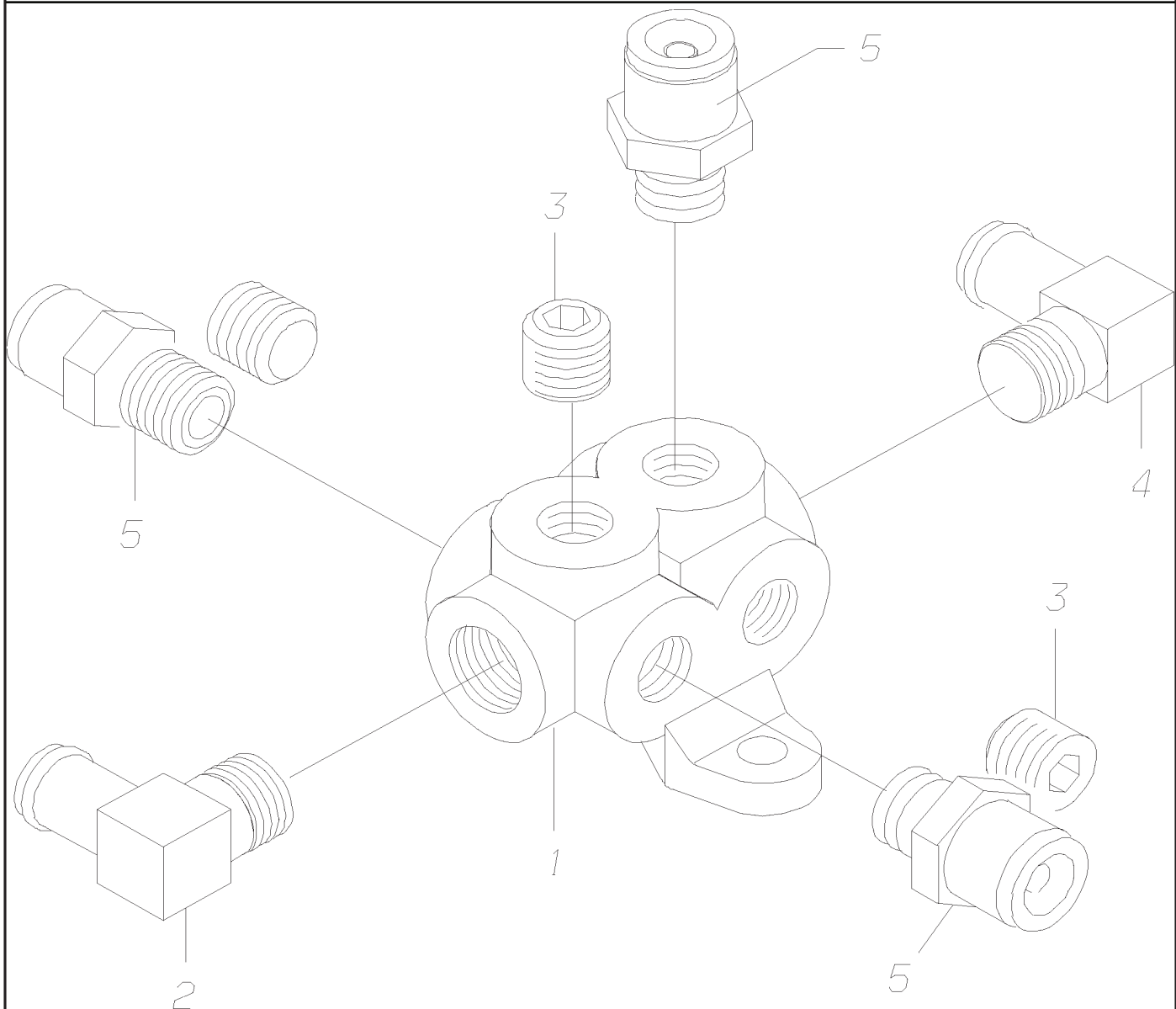
Models: **H4RE  
VALVE ASSY  
GOVERNOR**



Key	PartNumber	Qty	Description	Comment
1	0908160	1	GOVERNOR,AIR COMPRESSOR,275491	
2	0027181	AR	ELBOW,45 DEG,MALE,1880X4-Z,.12MPT X .25T"	
3	0035607	2	CAPSCREW,ALLEN,SOC HD,5/16-18X2 3/4,BLK	WITH CAT OR JD
3	0002746	2	CAPSCREW,ALLEN,SOC HD,M8-1.25 X 70MM,	WITH CUMMINS ISB, ISC OR ISL
4	2001188	2	LOCK WASHER, SPLIT RING, 5/16, MED, YEL ZN	
5	0009903	2	ELBOW, 90 DEG, MALE, 1869X4-Z, .13MPT	

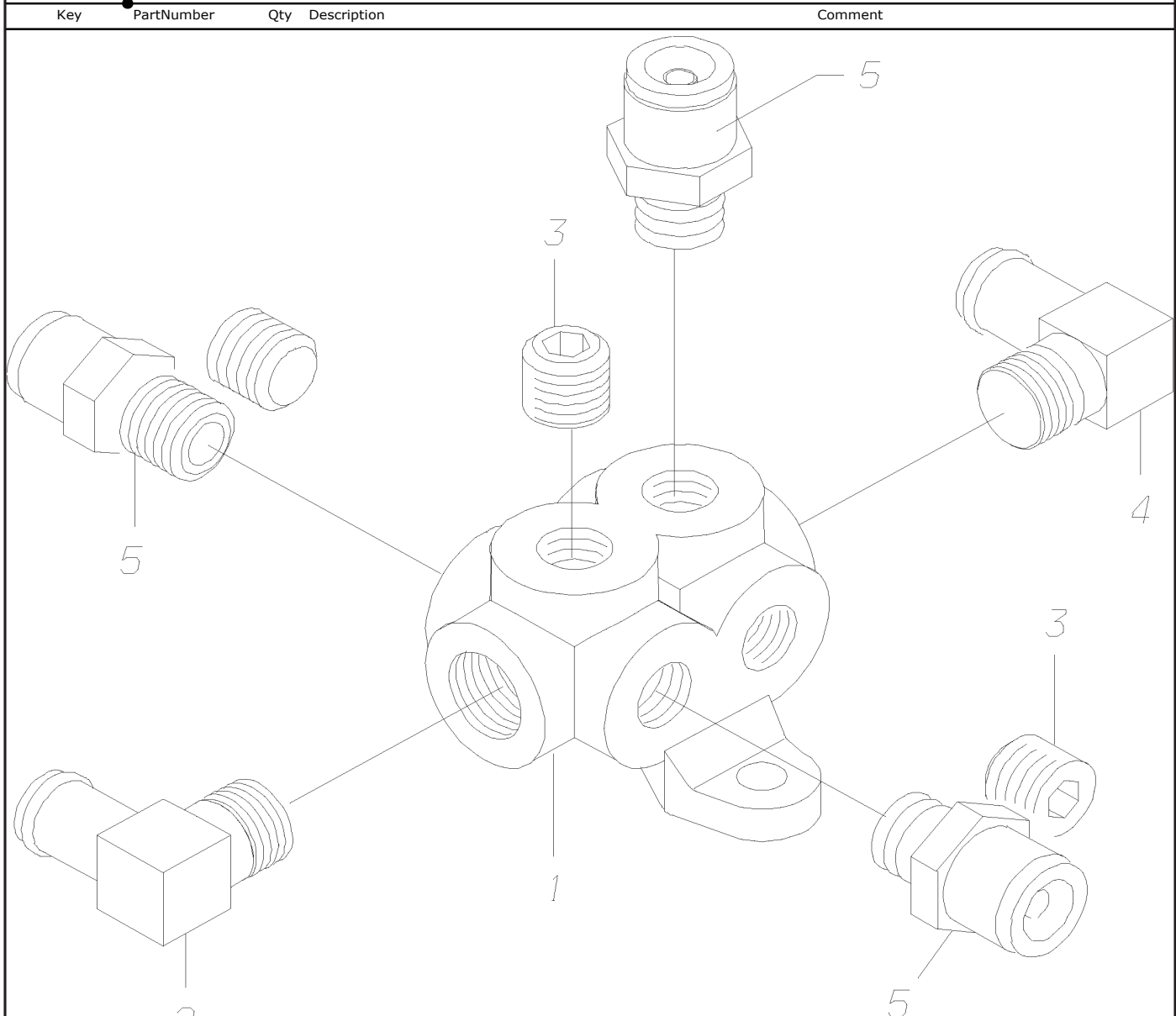
Models: **H4RE  
VALVE ASSY  
MANIFOLD  
FRONT**

Key	PartNumber	Qty	Description	Comment
-----	------------	-----	-------------	---------



1	2023083	1	FITTING,MANIFOLD,212322	
2	0009911	1	ELBOW,90 DEG,MALE1869X6X6-Z,.38MPT	
3	2023513	3	PLUG,PIPE,1/4,ALLEN HEX HD,BRASS	
4	0009912	1	ELBOW, 90 DEG, MALE, 1869X4X4-Z,.25MPT	
5	0009924	3	CONNECTOR,MALE,1868X6-Z,.25MPT X .38T"	

**Models: H4RE, M4RE  
VALVE ASSY  
MANIFOLD  
FRONT**

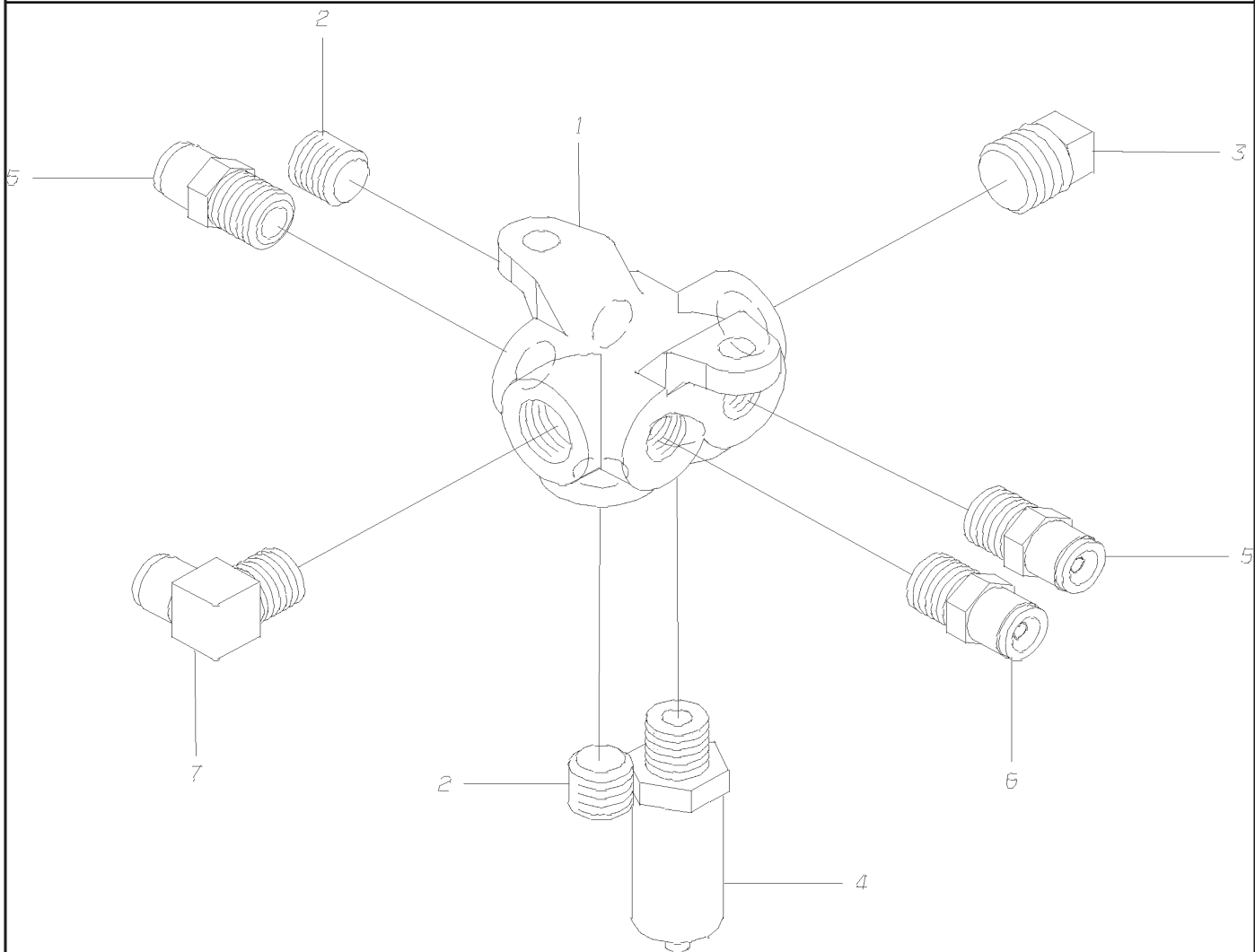


Key	PartNumber	Qty	Description	Comment
1	2023083	1	FITTING,MANIFOLD,212322	
2	0009911	1	ELBOW,90 DEG,MALE1869X6X6-Z,.38MPT	
3	2023513	3	PLUG,PIPE,1/4,ALLEN HEX HD,BRASS	
4	0009912	1	ELBOW, 90 DEG, MALE, 1869X4X4-Z,.25MPT	
5	0009924	3	CONNECTOR,MALE,1868X6-Z,.25MPT X .38T"	



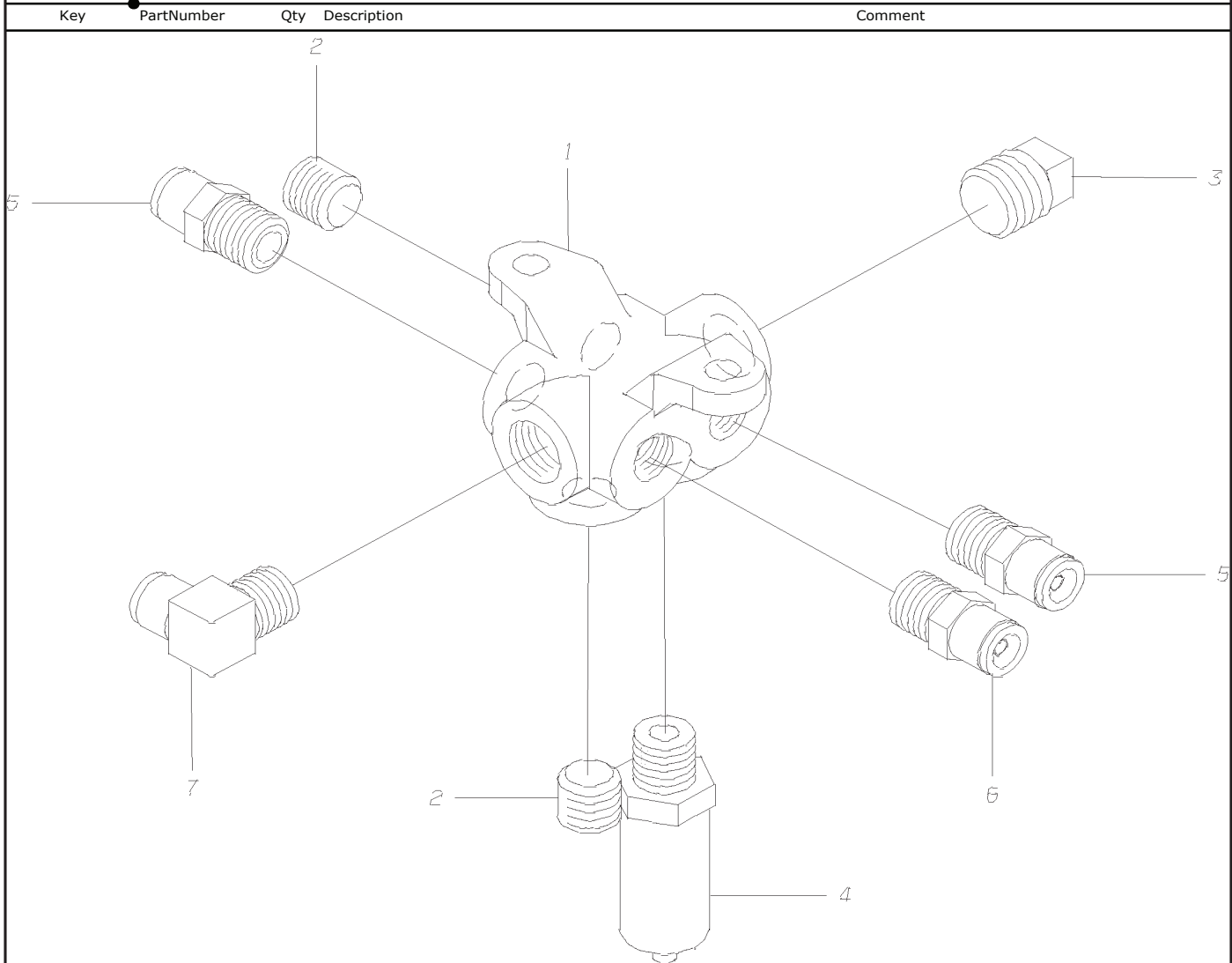
Models: H4RE  
VALVE ASSY  
MANIFOLD  
REAR

Key	PartNumber	Qty	Description	Comment
-----	------------	-----	-------------	---------



1	2023083	1	FITTING,MANIFOLD,212322	
2	2023513	2	PLUG,PIPE,1/4,ALLEN HEX HD,BRASS	
3	3772159	1	PLUG,PIPE,0.375,BRASS W/SEALANT,HEX HD	
4	0839019	1	VALVE,SAFETY,1/4IN PIPE,BW NO284142	
5	0009924	2	CONNECTOR,MALE,1868X6-Z,.25MPT X .38T"	
6	0009922	1	CONNECTOR, MALE, 1868X4X4-Z, .25MPT	
7	0009912	1	ELBOW, 90 DEG, MALE, 1869X4X4-Z,.25MPT	

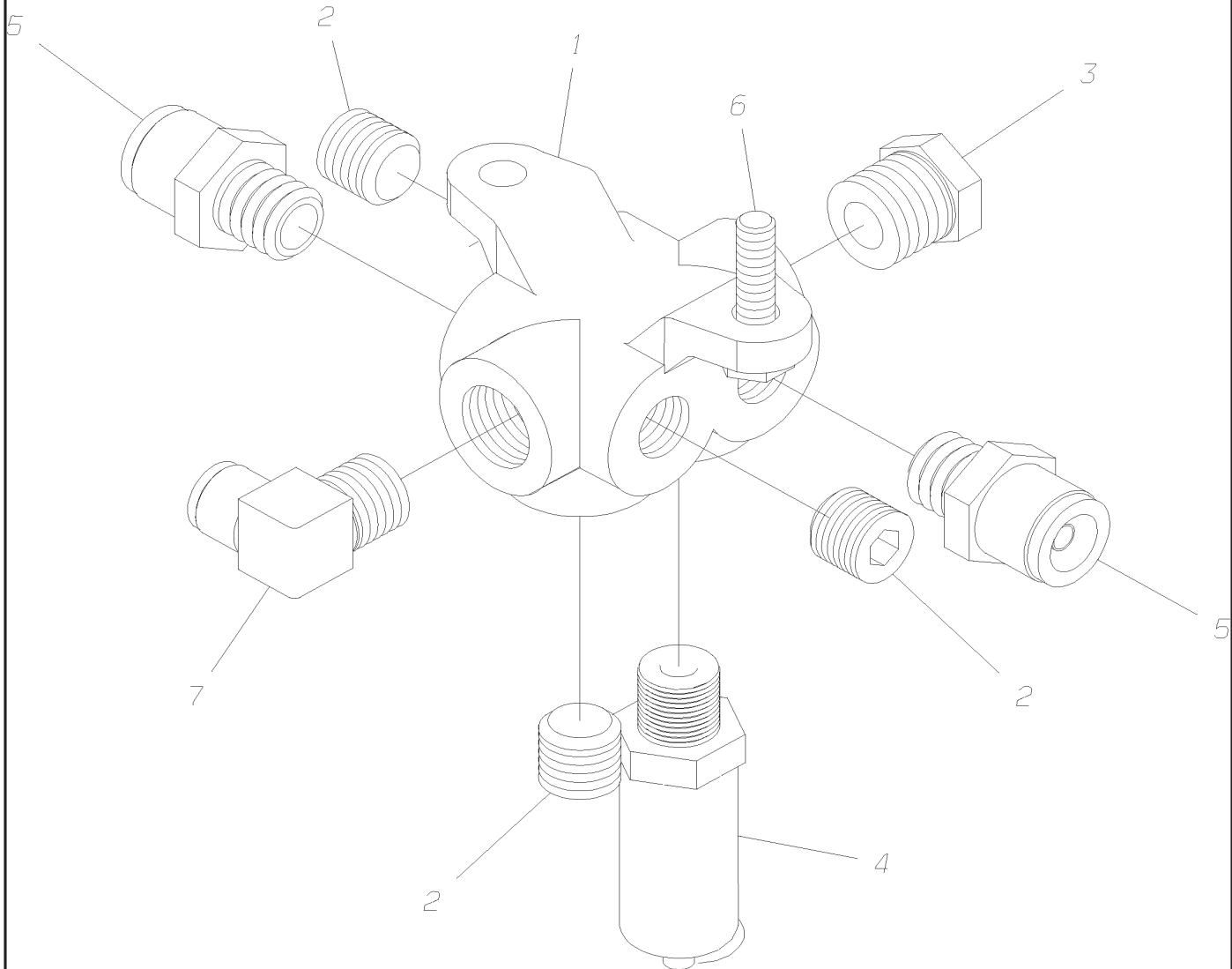
**Models: H4RE, M4RE  
VALVE ASSY  
MANIFOLD  
REAR**



Key	PartNumber	Qty	Description	Comment
1	2023083	1	FITTING,MANIFOLD,212322	
2	2023513	2	PLUG,PIPE,1/4,ALLEN HEX HD,BRASS	
3	3772159	1	PLUG,PIPE,0.375,BRASS W/SEALANT,HEX HD	
4	0839019	1	VALVE,SAFETY,1/4IN PIPE,BW NO284142	
5	0009924	2	CONNECTOR,MALE,1868X6-Z,.25MPT X .38T"	
6	0009922	1	CONNECTOR, MALE, 1868X4X4-Z, .25MPT	
7	0009912	1	ELBOW, 90 DEG, MALE, 1869X4X4-Z,.25MPT	

**Models: H4RE, M4RE  
VALVE ASSY  
MANIFOLD  
REAR, AIR BRAKE**

Key	PartNumber	Qty	Description	Comment
-----	------------	-----	-------------	---------



1	2023083		FITTING,MANIFOLD,212322	
2	2023513	3	PLUG,PIPE,1/4,ALLEN HEX HD,BRASS	
3	3772159		PLUG,PIPE,0.375,BRASS W/SEALANT,HEX HD	
4	0839019		VALVE,SAFETY,1/4IN PIPE,BW NO284142	
5	0009924	2	CONNECTOR,MALE,1868X6-Z,.25MPT X .38T"	
6	0870477		CAPSCREW,HEX HD,1/4-20 X 1,GR 8,YEL ZN	
7	0009912		ELBOW, 90 DEG, MALE, 1869X4X4-Z,.25MPT	

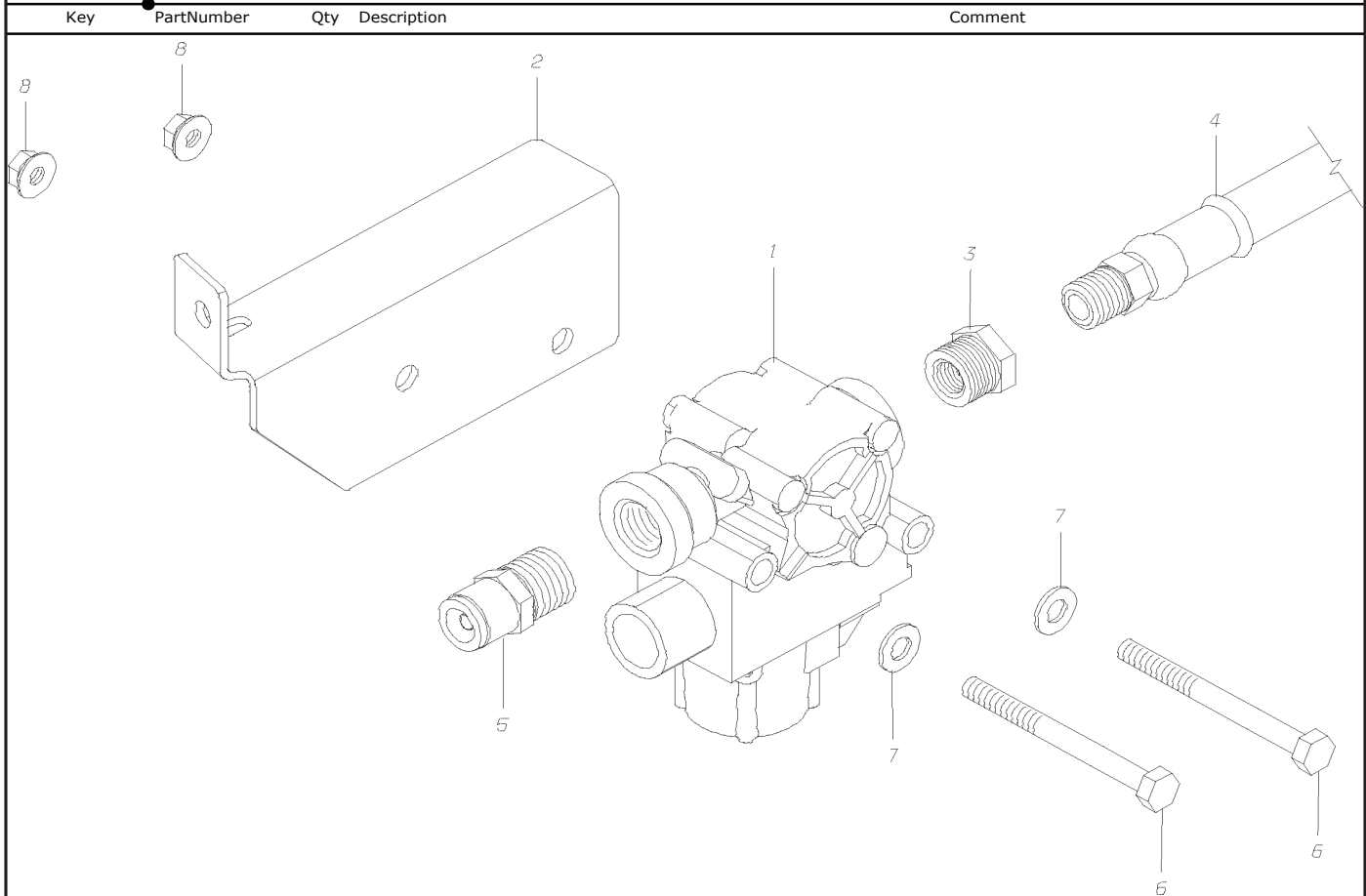
**Models: H4RE, M4RE  
VALVE ASSY  
MODULATOR  
6 CHANNEL, ABS, REAR**

Key	PartNumber	Qty	Description	Comment
	0045356		VALVE ASSY,MODULATOR,ABS,REAR,LH,H4RE"	CONSISTS OF THE FOLLOWING:
	0045357		VALVE ASSY,MODULATOR,ABS,REAR,RH,H4RE"	CONSISTS OF THE FOLLOWING:
1	0008387		MODULATOR,ABS,6 CHANNEL,AIR BRAKES,	
2	0039996		BRACKET,MTG,ABS MODULATOR VALVES,LH	
2	0040067		BRACKET,MTG,ABS MODULATOR VALVES,RH	
3	2023539		BUSHING,PIPE,1/2MPT X 3/8FPT,3220X8X6Z,	
4	0991653		HOSE ASSY,BRAKE,7/16 X 36 IN LONG	
5	0009920		CONNECTOR,MALE,1868X8X8-Z,.50MPT X .50T"	
6	1226877	2	CAPSCREW,HEX HD,5/16X 3 1/2,GR8,YEL ZN	
7	2001048	2	WASHER,FLAT,11/32 X 11/16 X 1/16,YEL	

**Models:** H4RE, M4RE  
VALVE ASSY  
MODULATOR  
6 CHANNEL, ABS, REAR

Key	PartNumber	Qty	Description	Comment
8	0829390	2	NUT, HEX HD, 5/16-18, SER WASHER, YEL ZN	

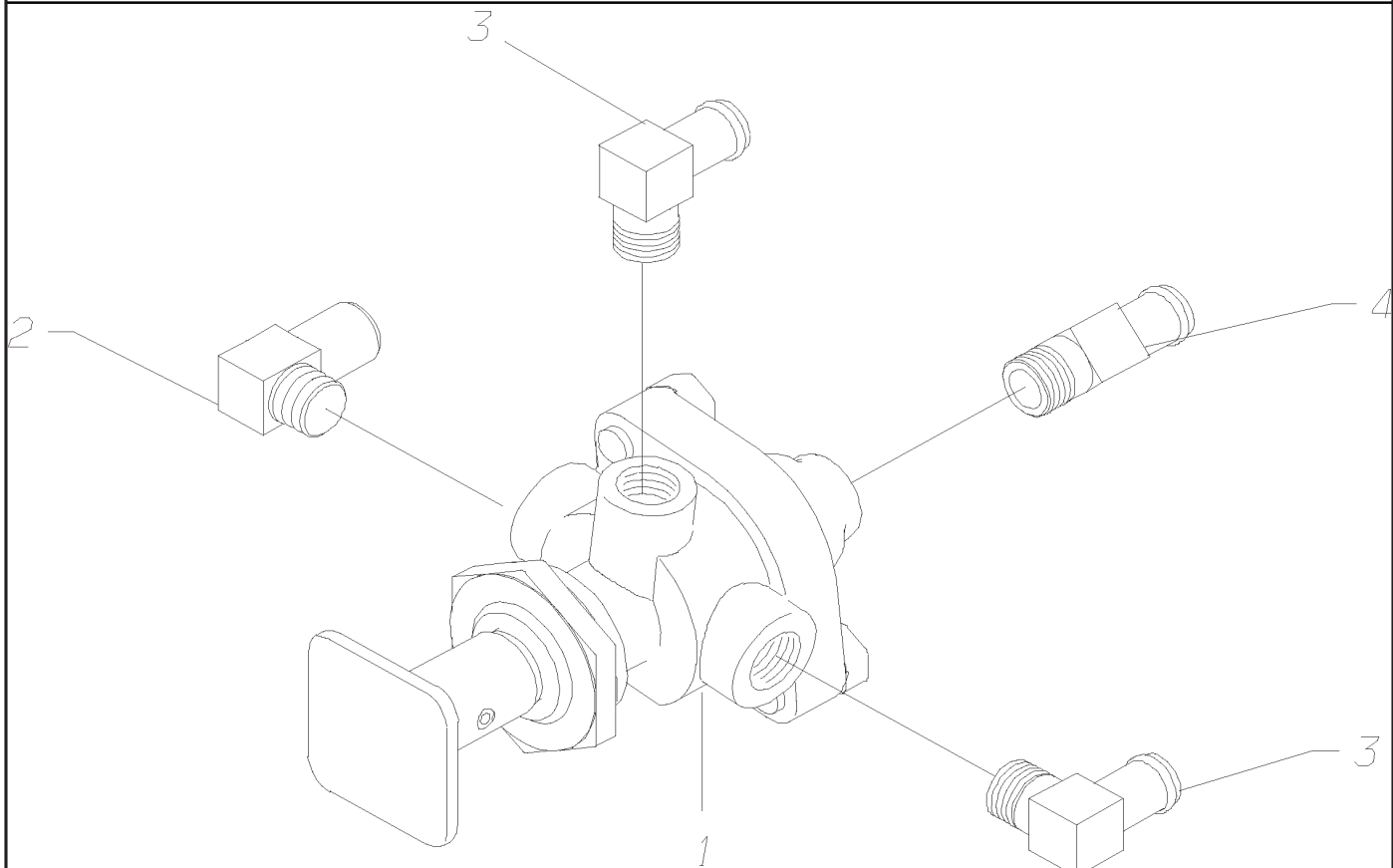
**Models: H4RE, M4RE  
VALVE ASSY  
MODULATOR  
ABS, REAR**



Key	PartNumber	Qty	Description	Comment
1	0008387	1	MODULATOR,ABS,6 CHANNEL,AIR BRAKES,	
2	0039996	1	BRACKET,MTG,ABS MODULATOR VALVES,LH	
2	0040067	1	BRACKET,MTG,ABS MODULATOR VALVES,RH	
3	2023539	1	BUSHING,PIPE,1/2MPT X 3/8FPT,3220X8X6Z,	
4	0991653	1	HOSE ASSY,BRAKE,7/16 X 36 IN LONG	
5	0009920	1	CONNECTOR,MALE,1868X8X8-Z,.50MPT X .50T"	
6	1226877	2	CAPSCREW,HEX HD,5/16X 3 1/2,GR8,YEL ZN	
7	2001048	2	WASHER,FLAT,11/32 X 11/16 X 1/16,YEL	
8	0829390	2	NUT, HEX HD, 5/16-18, SER WASHER, YEL ZN	

**Models: H4RE, M4RE  
VALVE ASSY  
PARKING BRAKE**

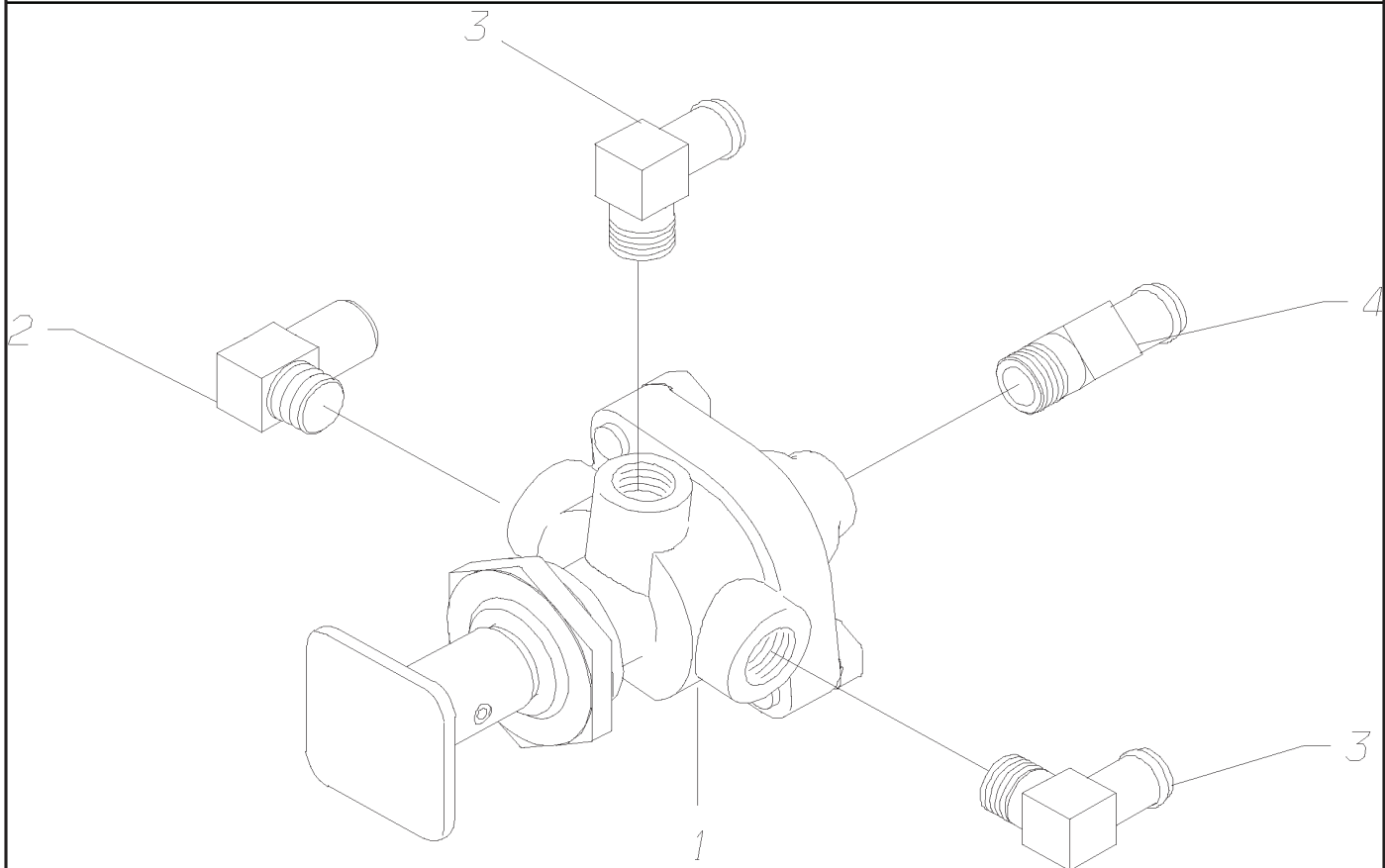
Key	PartNumber	Qty	Description	Comment
-----	------------	-----	-------------	---------



1	0032235	1	VALVE,PARKING BRAKE,PP-1	
NI	0054535	1	KIT,REPAIR FOR 0032235 VALVE"	
NI	0054536	1	BUTTON,FOR VALVE 0032235"	
NI	2705762	1	PIN,SPIROL,FOR PARKING BRAKE VALVE KNOB	
2	0009989	1	ELBOW,90,MALE,1869X6X2-Z.13MP X .38T	
3	0009903	2	ELBOW, 90 DEG, MALE, 1869X4-Z, .13MPT	
4	0013103	1	CONNECTOR,MALE,1868X6X2-Z,.13MP X .38T	

**Models:** B4RE, H4RE, Q4RE, W4RE  
**VALVE ASSY**  
**PARKING BRAKE**  
**6 CHANNEL, ABS**  
**BSN:** From CSN 10076921 (01/22/01)

Key	PartNumber	Qty	Description	Comment
-----	------------	-----	-------------	---------

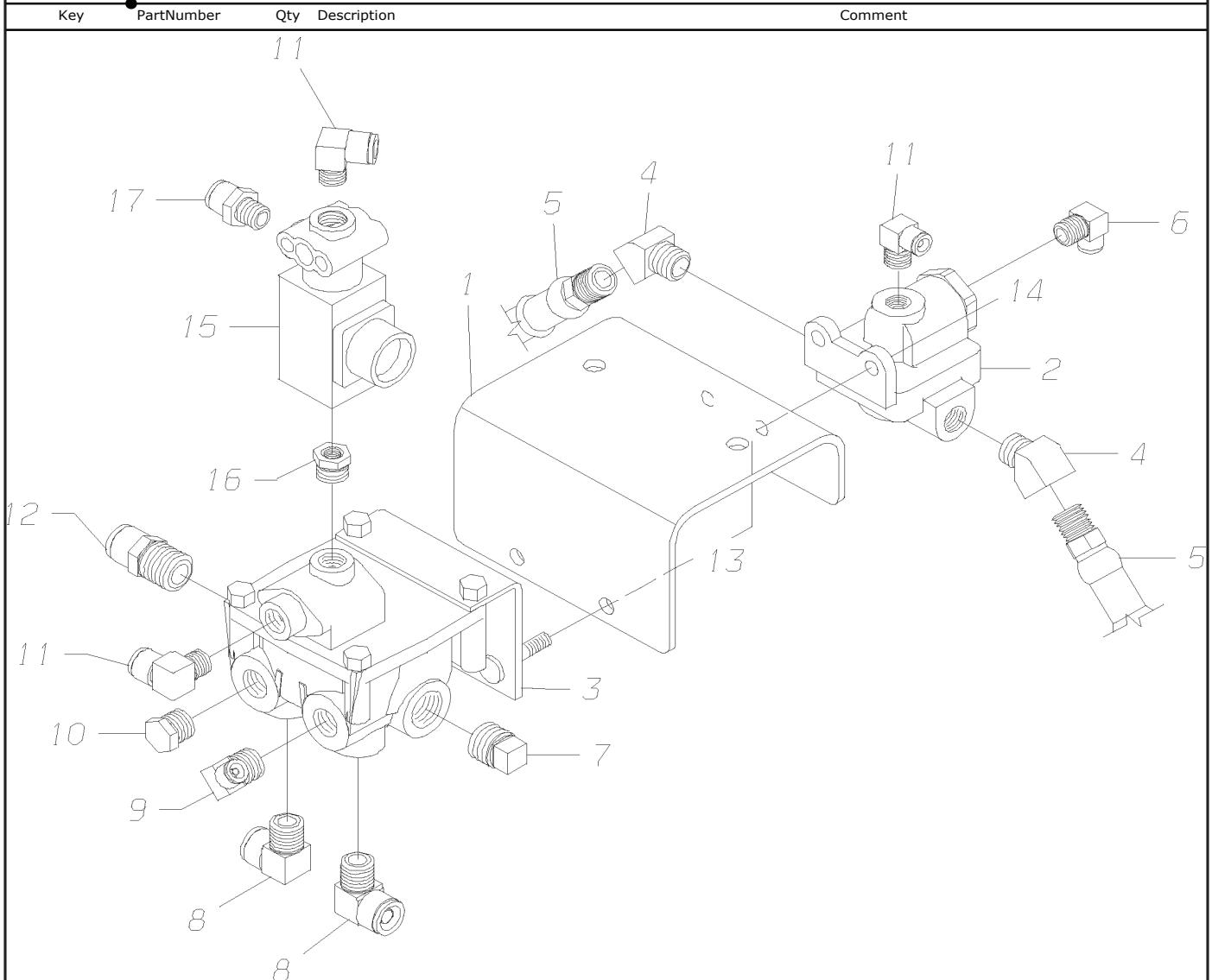


1	0032235		VALVE,PARKING BRAKE,PP-1	
NI	0054536		BUTTON,FOR VALVE 0032235"	<i>KNOB ONLY</i>
NI	0054535		KIT,REPAIR FOR 0032235 VALVE"	
NI	2705762		PIN,SPIROL,FOR PARKING BRAKE VALVE KNOB	
2	0009989	1	ELBOW,90,MALE,1869X6X2-Z.13MP X .38T	
3	0009903	2	ELBOW, 90 DEG, MALE, 1869X4-Z, .13MPT	
4	0013103		CONNECTOR,MALE,1868X6X2-Z,.13MP X .38T	





**Models: H4RE  
VALVE ASSY  
QUICK RELEASE  
WITH R12 RELAY**

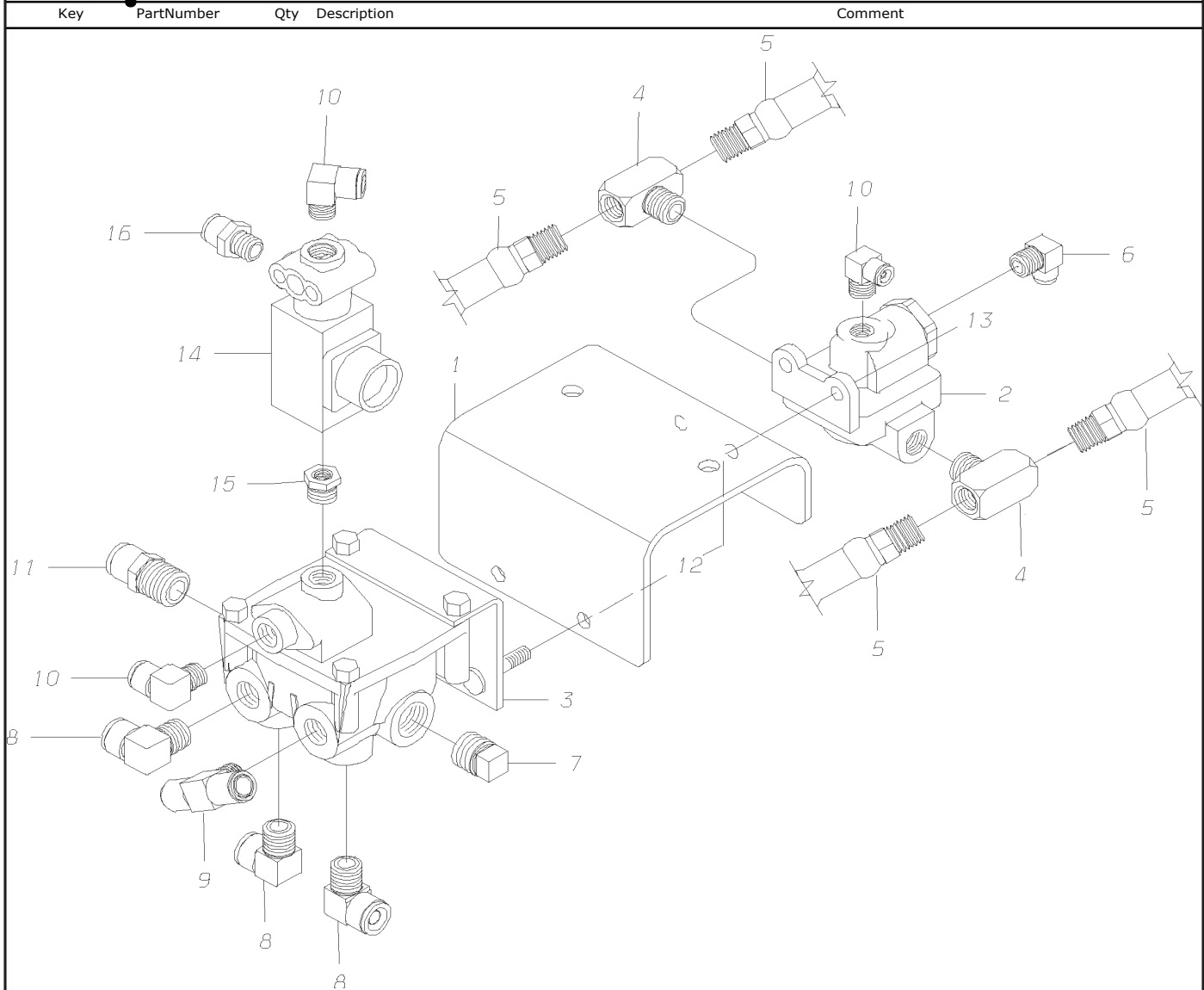


Key	PartNumber	Qty	Description	Comment
1	0039995	1	BRACKET,MTG,BRAKE VALVES,R12/QR-1C	
2	1220128	1	VALVE,SPRING BRAKE,RELAY,QR-1C	
3	1995851	1	VALVE,RELAY,R12 W/DOUBLE CHECK,ABS	
4	2008282	2	ELBOW,STREET,45 DEG,3350X6Z,BRASS	
5	0991653	2	HOSE ASSY,BRAKE,7/16 X 36 IN LONG	
6	0009912	1	ELBOW, 90 DEG, MALE, 1869X4X4-Z,.25MPT	
7	0663427	1	PLUG,PIPE,1/2 SQ HD,3151 X 8Z,BRASS	

**Models: H4RE  
VALVE ASSY  
QUICK RELEASE  
WITH R12 RELAY**

Key	PartNumber	Qty	Description	Comment
8	0009906	2	ELBOW,90 DEG,MALE1869X8-Z,.38MPT X .50T	
9	0009911	1	ELBOW,90 DEG,MALE1869X6X6-Z,.38MPT	
10	3772159	1	PLUG,PIPE,0.375,BRASS W/SEALANT,HEX HD	
11	0009914	3	ELBOW,90 DEG,MALE1869X6-Z,.25MPT X .38"	
12	0009923	1	CONNECTOR,MALE,1868X10-Z,.50MPT X .63T	
13	0829390	4	NUT, HEX HD, 5/16-18, SER WASHER, YEL ZN	
14	0854414	2	CAPSCREW,HEX HD,5/16-18X7/8,GR8,YEL ZN	
15	0045364	1	VALVE,SOLENOID,6S6M ATC"	
16	2008050	1	BUSHING,PIPE,1/8 TO 1/4,BRASS	
17	0009924	1	CONNECTOR,MALE,1868X6-Z,.25MPT X .38"	

**Models: H4RE, M4RE  
VALVE ASSY  
QUICK RELEASE  
WITH R12 RELAY**

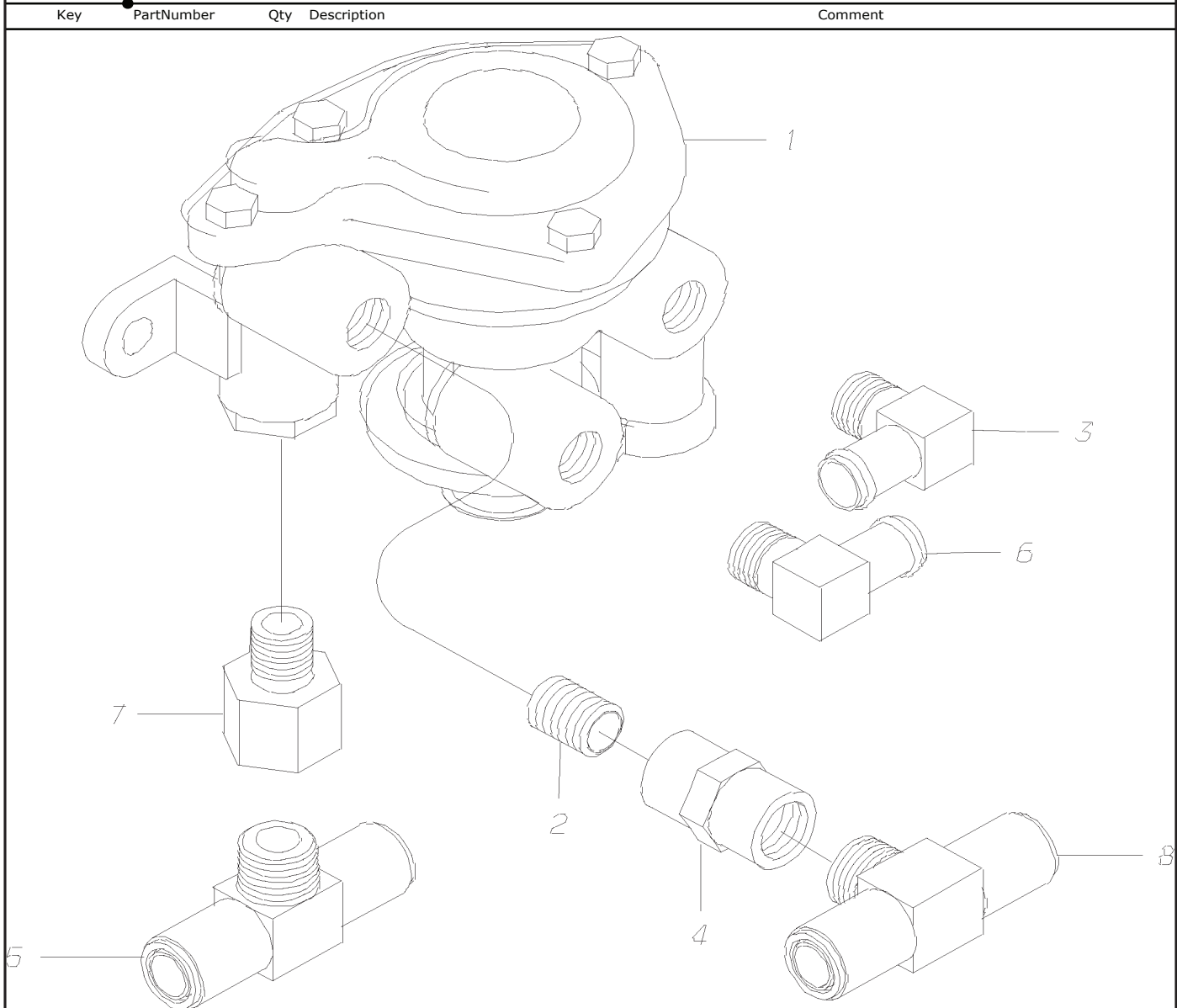


Key	PartNumber	Qty	Description	Comment
1	0039995	1	BRACKET,MTG,BRAKE VALVES,R12/QR-1C	
2	1220128	1	VALVE,SPRING BRAKE,RELAY,QR-1C	
3	1995851	1	VALVE,RELAY,R12 W/DOUBLE CHECK,ABS	
4	0016750	2	TEE,BRASS,3/8MPTX3/8FPTX3/8FPT,3600X6	
5	0991653	4	HOSE ASSY,BRAKE,7/16 X 36 IN LONG	
6	0009912	1	ELBOW, 90 DEG, MALE, 1869X4X4-Z,.25MPT	

**Models: H4RE, M4RE  
VALVE ASSY  
QUICK RELEASE  
WITH R12 RELAY**

Key	PartNumber	Qty	Description	Comment
7	0663427	1	PLUG,PIPE,1/2 SQ HD,3151 X 8Z,BRASS	
8	0009906	3	ELBOW,90 DEG,MALE1869X8-Z,.38MPT X .50T	
9	0027594	1	TEE,MALE,BRANCH,117-63686	
10	0009914	3	ELBOW,90 DEG,MALE1869X6-Z,.25MPT X .38T"	
11	0009923	1	CONNECTOR,MALE,1868X10-Z,.50MPT X .63T	
12	0829390	4	NUT, HEX HD, 5/16-18, SER WASHER, YEL ZN	
13	0854414	2	CAPSCREW,HEX HD,5/16-18X7/8,GR8,YEL ZN	
14	0045364	1	VALVE,SOLENOID,6S6M ATC"	
15	2008050	1	BUSHING,PIPE,1/8 TO 1/4,BRASS	
16	0009924	1	CONNECTOR,MALE,1868X6-Z,.25MPT X .38T"	

**Models:** B4RE, H4RE, Q4RE, W4RE  
**VALVE ASSY**  
**SPRING BRAKE**  
**6 CHANNEL, ABS**  
**BSN:** From CSN 10052365 (03/06/00)



Key	PartNumber	Qty	Description	Comment
1	0654426		VALVE,SPRING BRAKE	
2	2009330	2	NIPPLE,PIPE,1/4 X 2,GALV	
3	0009912		ELBOW, 90 DEG, MALE, 1869X4X4-Z,.25MPT	
4	2027175		COUPLING, PIPE, 1/4	
5	0009927		TEE,MALE,BRANCH,1872X8X4-Z,.25MPT X .50T	
6	0009914	1	ELBOW,90 DEG,MALE1869X6-Z,.25MPT X .38T"	

**Models:** B4RE, H4RE, Q4RE, W4RE  
VALVE ASSY  
SPRING BRAKE  
6 CHANNEL, ABS  
**BSN:** From CSN 10052365 (03/06/00)

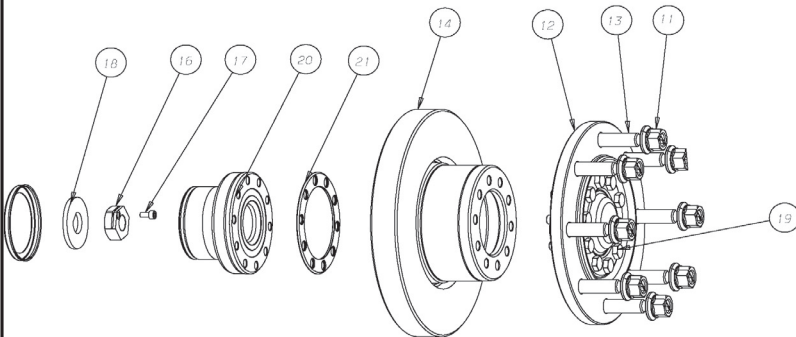
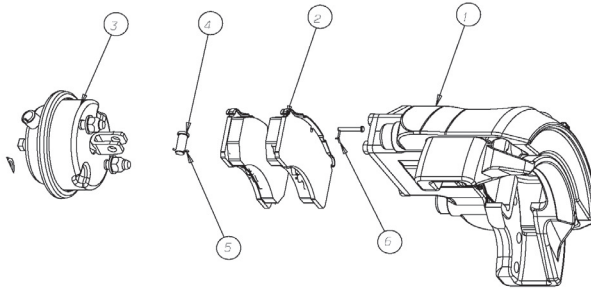
Key	PartNumber	Qty	Description	Comment
-----	------------	-----	-------------	---------

**Models: H4RE, M4RE  
WHEEL END COMPONENTS  
FRONT AND REAR, ALUMN WHEELS  
CALIPER ASSY AIR DISC DX225**

Key	PartNumber	Qty	Description	Comment
-----	------------	-----	-------------	---------

DR. 4-10-03	BY MR	0056692	REV	
APP.	BY TL	FRT		

© BLUE BIRD BODY COMPANY. ALL RIGHTS RESERVED



0076902	KIT, BRAKE, PAD, DX225, MERITOR, (ONE KIT	CONSISTS OF KEY NOS 1, 2, 4
---------	-------------------------------------------	-----------------------------

1	2	SPRING
---	---	--------

2	4	BRAKE PAD
---	---	-----------

4		BOLT
---	--	------

0079344	KIT, BOLT, STABILIZING BAR, DX225
---------	-----------------------------------

3		RETAINING WASHER
---	--	------------------

4		BOLT
---	--	------

0065289	KIT, PIN, CLEVIS, DX195
---------	-------------------------

5		CLEVIS PIN
---	--	------------

6		COTTER PIN
---	--	------------

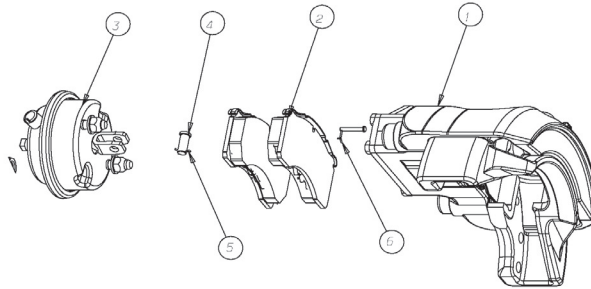


**Models: H4RE, M4RE  
WHEEL END COMPONENTS  
FRONT AND REAR, ALUMN WHEELS  
CALIPER ASSY AIR DISC DX225**

Key	PartNumber	Qty	Description	Comment
10			CALIPER ASSY KIT, DX225,	<i>CONSISTS OF KEY NOS 3,4,10</i>
	0077343		CALIPER,LH,DX225"	
	0077342		CALIPER,RH,DX225"	
	0063534		KIT,PLUG,DX195	<i>CONSISTS OF KEY NOS 7,8</i>
9			AIR CHAMBER, DX 225	
	0065277		BRAKE,CHAMBER,FRONT,DX195,T20 REAR	
	0077338		BRAKE,CHAMBER,DRIVE,LH,24/30"	
	0077340		BRAKE,CHAMBER,DRIVE,RH 24/30"	
	0077949		KIT,BOLT,SADDLE BOLTS & WASHERS,AIR DISC	<i>CONSISTS OF KEY 11,12</i>
	0077950		KIT,LEVER,AIR DISC BRAKES"	<i>CONSISTS OF KEY NO 13,14</i>

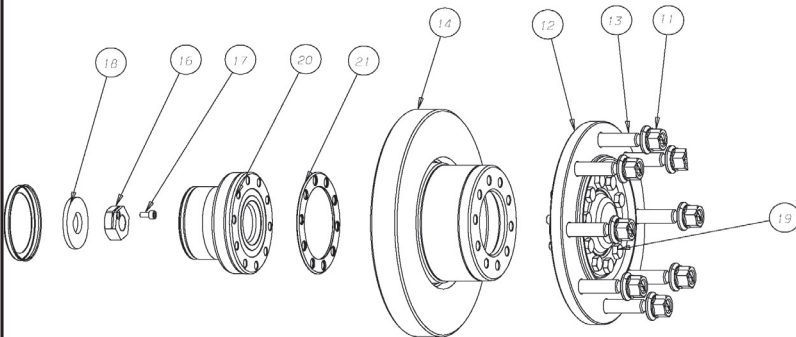
**Models: H4RE, M4RE  
WHEEL END COMPONENTS  
FRONT, ALUMN WHEELS**

Key PartNumber Qty Description Comment



DR. 4-10-03	BY MR	0056692	REV
APP.	BY TL	FRT	REV

© BLUE BIRD BODY COMPANY. ALL RIGHTS RESERVED.

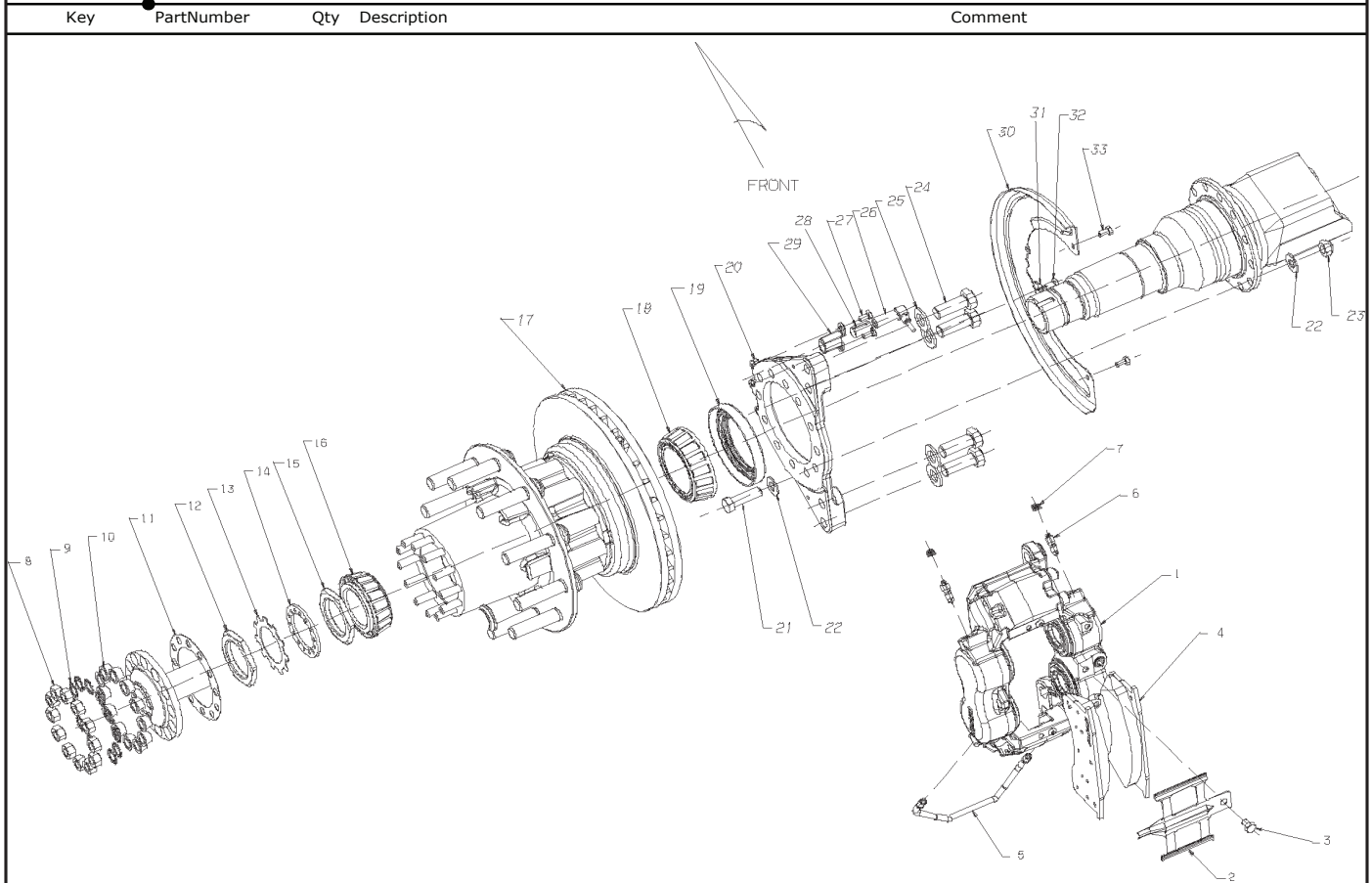


1	0077343	1	CALIPER,LH,DX225"	
1	0077342	1	CALIPER,RH,DX225"	
NI	0063534	1	KIT,PLUG,DX195	
NI	0077949	1	KIT,BOLT,SADDLE BOLTS & WASHERS,AIR DISC	
NI	0077950	1	KIT,LEVER,AIR DISC BRAKES"	
2	0076902	1	KIT,BRAKE,PAD,DX225,MERITOR,(ONE KIT	ONE AXLE
3	0065277	2	BRAKE,CHAMBER,FRONT,DX195,T20	
4			KIT, PIN, CLEVIS	
5			KIT, COTTER PIN	
NI	0065289	2	KIT,PIN,CLEVIS,DX195	4, 5

**Models: H4RE, M4RE  
WHEEL END COMPONENTS  
FRONT, ALUMN WHEELS**

Key	PartNumber	Qty	Description	Comment
6	0065290	2	PIN,COTTER,DX195	
7		4	SCREW, SOCKET HEAD	
8		4	BOLT, HEX HEAD	
9		16	BOLT, HEX HEAD	
10		10	BOLT, HEX HEAD	
11	0072937	16	NUT,LUG,TWO PIECE,M22X1.5 GH THREADS	
12	0077902	2	ADAPTER,WHEEL,FRONT,IFS,DX225"	
13	0077914	16	STUD,WHEEL,FRONT,DX225"	
14	0077166	2	ROTOR,FRONT,DX225"	
15	0077508	1	STEERING KNUCKLE,LH,M4	
15	0077507	1	STEERING KNUCKLE,RIGHT HAND,M4	
16	0077928		NUT,SPINDLE,LH,IFS,H4RE,M4RE"	
16	0077926		NUT,SPINDLE,RH,IFS H4RE,M4RE"	
17	0077975	2	SCREW,SOCKET HD,DX225"	
18	0078049	2	WASHER,SPINDLE,FRONT,DX225"	
19	0078043	24	BOLT,HEX,HEAD,DX225"	
20	0078025	2	HUB,BEARING,DX225"	
21	0077910	2	SPACER,HUB,FRONT,DX225"	
NI	0078029		SENSOR,ABS,DX225"	
NI	0043313		BUSHING,ABS,STEER KNUCKLE	

Models: H4RE, M4RE  
 WHEEL END COMPONENTS  
 REAR  
 ALUMN WHEELS



Key	PartNumber	Qty	Description	Comment
1	0077343		CALIPER,LH,DX225"	
1	0077342		CALIPER,RH,DX225"	
NI	0063534		KIT,PLUG,DX195	
2			KIT, SPRING, RETENTION	
3			KIT, PIN, SPRING, RETENTION	
4			COTTER PIN	
	0077338		BRAKE,CHAMBER,DRIVE,LH,24/30"	
	0077340		BRAKE,CHAMBER,DRIVE,RH 24/30"	
5	0076902		KIT,BRAKE,PAD,DX225,MERITOR,(ONE KIT	ONE AXLE
6	2594893	8	NUT,AXLE SHAFT	

**Models: H4RE, M4RE  
WHEEL END COMPONENTS  
REAR  
ALUMN WHEELS**

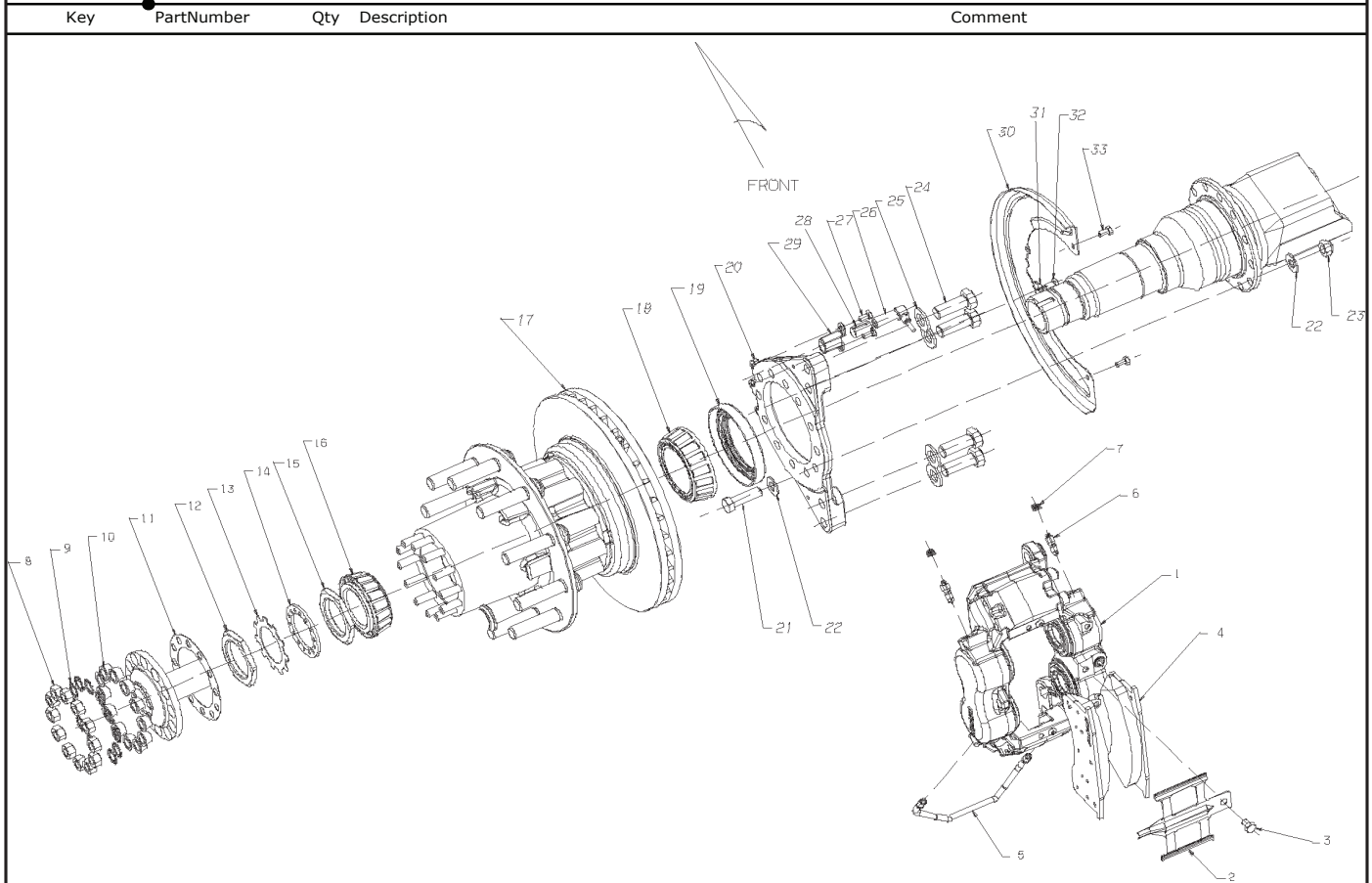
Key	PartNumber	Qty	Description	Comment
7	2603512	8	WASHER,AXLE SHAFT	
8	0929091	8	DOWEL,AXLE SHAFT	
9	0043449	2	GASKET	
10	0043475	2	NUT,WHEEL,BEARING,ADJUSTING,REAR AXLE	
11	2647230	2	** PART NOT FOUND **	
12	0048533	2	WASHER,LOCK,SPINDLE	
13	2598613	2	NUT,WHEEL,BEARING,JAM,REAR AXLE	
14	0929059		BEARING,OUTER,AXLE SHAFT,ROCKWELL &	
15			HUB AND ROTOR ASSY	
NI	0077861		HUB & CUP ASSY,DRIVE,MERITOR"	
NI	2621779	1	CUP,WHEEL BEARING,REAR INNER,R-155,592A	
NI	2621571	1	CUP,OUTER WHEEL BEARING	
NI	0077949	8	KIT,BOLT,SADDLE BOLTS & WASHERS,AIR DISC	
NI	0072937	8	NUT,LUG,TWO PIECE,M22X1.5 GH THREADS	
NI	0044462	8	CHANNEL,BUMPER BRACE,RH	
NI	0077303	1	ROTOR,ABS,DX225,MERITOR"	
NI	0078910	6	BOLT,ROTOR,HUB TO ROTOR BOLT	
15	0929042		BEARING,INNER,REAR AXLE	
16	0078915		SEAL,OIL,INNER,REAR AXLE	
17	0079028		PLATE,TORQUE,REAR AXLE,LH	
17	0079029		PLATE,TORQUE,REAR AXLE,RH	
18			CAPSCREW, HEX HD	
19			WASHER, FLAT	

**Models: H4RE, M4RE  
WHEEL END COMPONENTS  
REAR  
ALUMN WHEELS**

Key	PartNumber	Qty	Description	Comment
20			NUT, HEX HEAD	
21			CAPSCREW, HEX HD	
22			WASHER, FLAT	
23	0078029		SENSOR,ABS,DX225"	
24			CAPSCREW, BRACKET, ABS MOUNTING	
25	0078024		BUSHING,ABS,SENSOR"	
26			BRACKET, ABS MOUNTING	
27			DUSTSHIELD	
28	1542471		SLEEVE,CLAMP,NOTCHED,HUB SENSOR,ABS	
29			CAPSCREW, CLIP	
30			CAPSCREW, DUSTSHIELD	



**Models: H4RE, M4RE  
WHEEL END COMPONENTS  
REAR  
ALUMN WHEELS**



Key	PartNumber	Qty	Description	Comment
1	0077343		CALIPER,LH,DX225"	
1	0077342		CALIPER,RH,DX225"	
NI	0063534		KIT,PLUG,DX195	
2			KIT, SPRING, RETENTION	
3			KIT, PIN, SPRING, RETENTION	
4			COTTER PIN	
5	0076092		PAD ASSY,DAVENPORT,RISER,W/PROFORM,	ONE AXLE
6	2594893	8	NUT,AXLE SHAFT	
7	2603512	8	WASHER,AXLE SHAFT	
8	0929091	8	DOWEL,AXLE SHAFT	



**Models: H4RE, M4RE  
WHEEL END COMPONENTS  
REAR  
ALUMN WHEELS**

Key	PartNumber	Qty	Description	Comment
9	0043449	2	GASKET	
10	0043475	2	NUT,WHEEL,BEARING,ADJUSTING,REAR AXLE	
11	2647230	2	** PART NOT FOUND **	
12	0048533	2	WASHER,LOCK,SPINDLE	
13	2598613	2	NUT,WHEEL,BEARING,JAM,REAR AXLE	
14	0929059		BEARING,OUTER,AXLE SHAFT,ROCKWELL &	
15			HUB AND ROTOR ASSY	
NI	0067273		HUB & CUP ASSY,REAR,L4RE	
NI	2621779	1	CUP,WHEEL BEARING,REAR INNER,R-155,592A	
NI	2621571	1	CUP,OUTER WHEEL BEARING	
NI	0062329	8	STUD,WHEEL,DX195,MERITOR	
NI	0072937	8	NUT,LUG,TWO PIECE,M22X1.5 GH THREADS	
NI	0062331	8	STUD,DRIVE,DX195,MERITOR	
NI	0067274	1	ROTOR,REAR,L4RE	
NI	0062326	6	CAPSCREW,ROTOR,DX195,MERITOR	
15	0929042		BEARING,INNER,REAR AXLE	
16	0929067		SEAL,INNER,REAR AXLE OIL,LUBRICATED	
17			PLATE, TORQUE, LH	
17			PLATE, TORQUE, RH	
18			CAPSCREW, HEX HD	
19			WASHER, FLAT	
20			NUT, HEX HEAD	
21			CAPSCREW, HEX HD	

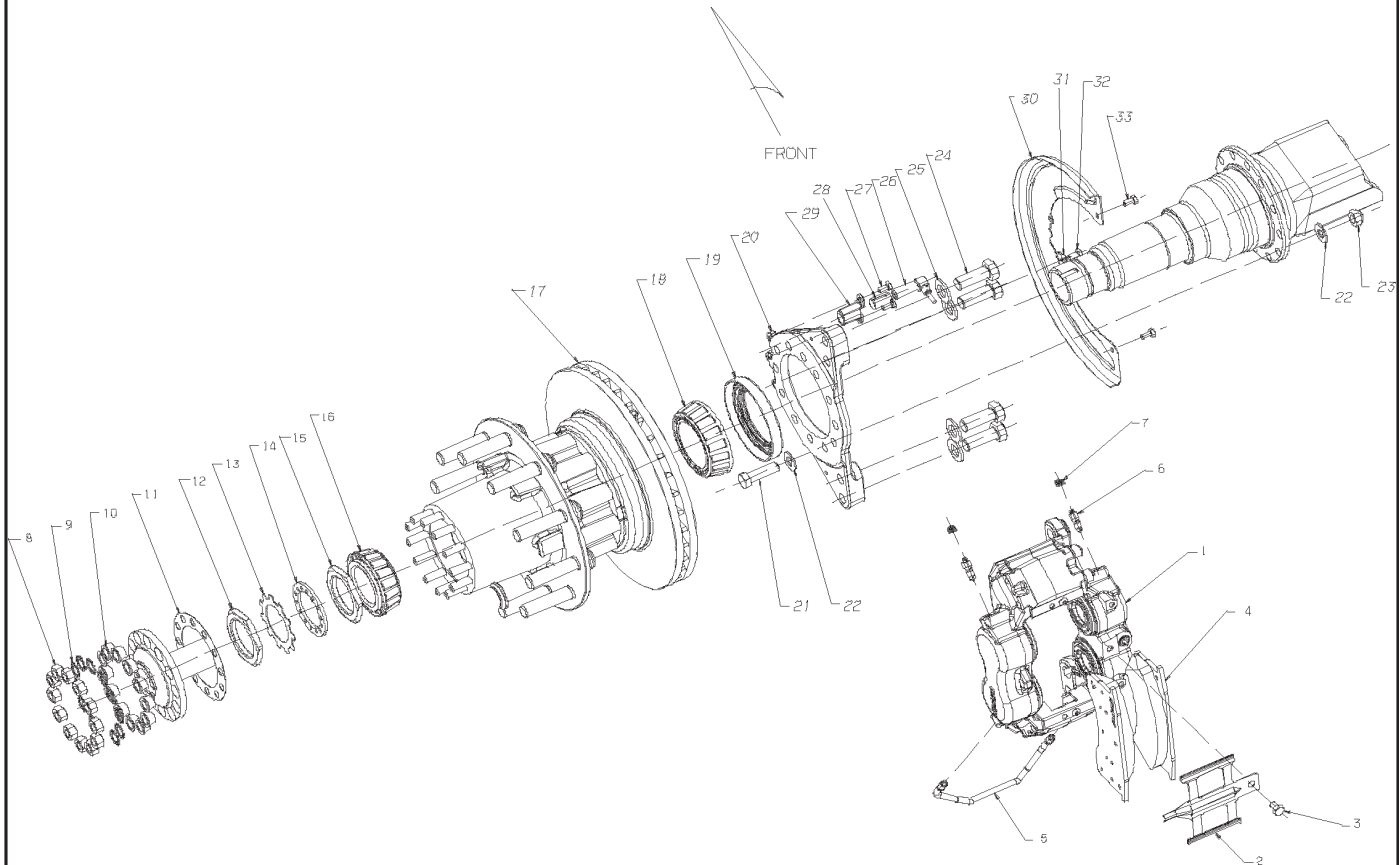
**Models:** H4RE, M4RE  
**WHEEL END COMPONENTS**  
**REAR**  
**ALUMN WHEELS**

Key	PartNumber	Qty	Description	Comment
22			WASHER, FLAT	
23	0063543		SENSOR,ABS,DX195,ROUND PLUG	
24			CAPSCREW, BRACKET, ABS MOUNTING	
25	0078024		BUSHING,ABS,SENSOR"	
26			BRACKET, ABS MOUNTING	
27			DUSTSHIELD	
28	1542471		SLEEVE,CLAMP,NOTCHED,HUB SENSOR,ABS	
29			CAPSCREW, CLIP	
30			CAPSCREW, DUSTSHIELD	



**Models:** H4RE, M4RE  
**WHEEL END COMPONENTS**  
**TAG AXLE**  
**ALUMN WHEELS**

Key	PartNumber	Qty	Description	Comment
-----	------------	-----	-------------	---------



NI			CALIPER ASSY	
NI	0077343		CALIPER,LH,DX225"	
NI	0077342		CALIPER,RH,DX225"	
NI	0076902		KIT,BRAKE,PAD,DX225,MERITOR,(ONE KIT	ONE AXLE
NI			PLATE, TORQUE	
NI	0078904		PLATE,TORQUE,LH,TAG AXLE"	
NI	0078905		PLATE,TORQUE,RH,TAG AXLE"	
NI	0078907	2	SENSOR,ABS,TAG AXLE,DX225"	
NI	0077326	2	BRAKE,CHAMBER,TAG,T16"	
NI	0077303		ROTOR,ABS,DX225,MERITOR"	