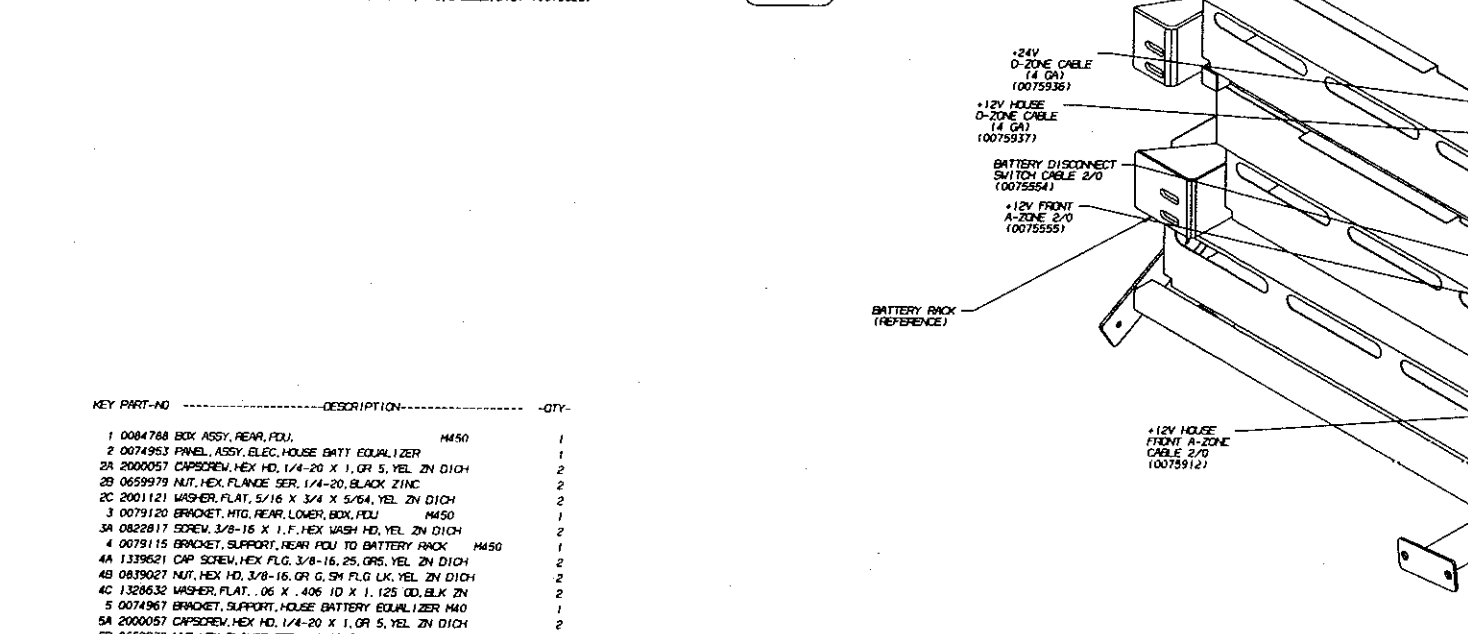
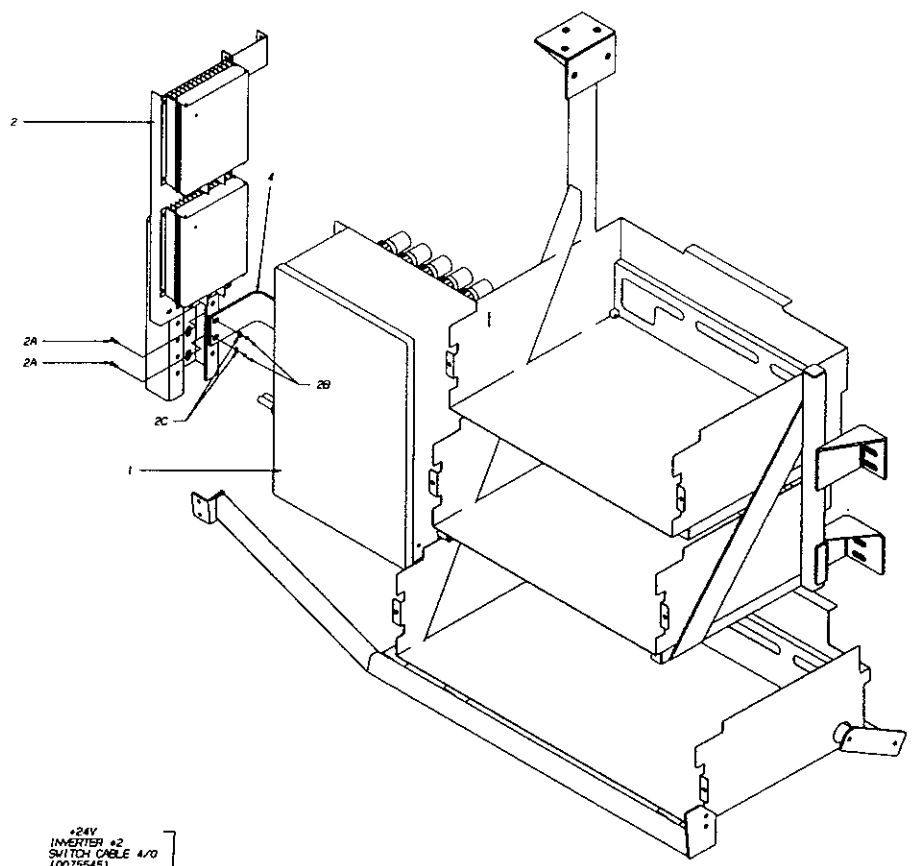
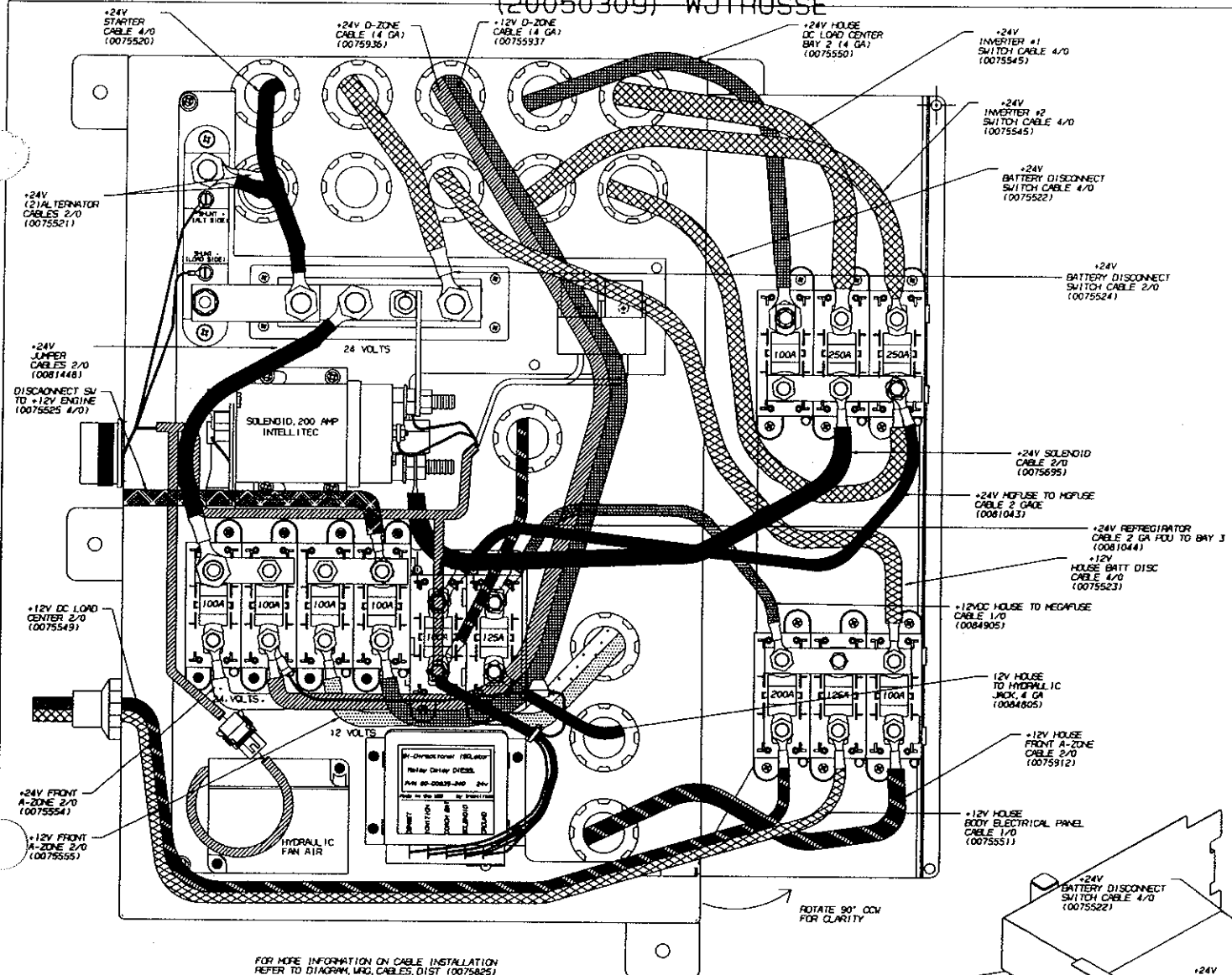


(20050309) WJTRUSSE



KEY PART NO	DESCRIPTION	QTY
1	0084788 BOX ASSY, REAR, PDU	M450
2	0074953 PANEL, ASSY, ELEC, HOUSE BATT EQUALIZER	1
2A	2000057 CAPSCREW, HEX HD, 1/4-20 X 1, GR 5, YEL ZN DICH	2
2B	0659979 NUT, HEX, FLANGE SER, 1/4-20, BLACK ZINC	2
2C	2001121 WASHER, FLAT, 5/16 X 3/4 X 5/64, YEL ZN DICH	2
3	0079120 BRACKET, HTG, REAR, LOWER, BOX, PDU	M450
3A	0822817 SCREW, 3/8-16 X 1.1, F, HEX WASH HD, YEL ZN DICH	2
4	0079115 BRACKET, SUPPORT, REAR PDU TO BATTERY RACK	M450
4A	1339621 CAP SCREW, HEX FLG, 3/8-16, 25, GR5, YEL ZN DICH	2
4B	0839027 NUT, HEX HD, 3/8-16, GR 5, 5/8 FLG LK, YEL ZN DICH	2
4C	1328632 WASHER, FLAT, .06 X .406 ID X 1.125 OD, BLK ZN	2
5	0074967 BRACKET, SUPPORT, HOUSE BATTERY EQUALIZER M40	1
5A	2000057 CAPSCREW, HEX HD, 1/4-20 X 1, GR 5, YEL ZN DICH	2
5B	0659979 NUT, HEX, FLANGE SER, 1/4-20, BLACK ZINC	2
5C	2001121 WASHER, FLAT, 5/16 X 3/4 X 5/64, YEL ZN DICH	2

NOTE: 1- AFTER ALL HARNESSSES ARE INSTALLED AND ELECTRICAL FUNCTION CHECK IS COMPLETED, SEAL AROUND HARNESS WITH SILICONE, BLUEBIRD PAV 2051902
2- SEE OMG #5038426 FOR SPECIFICATION TORQUE FOR ELECTRICAL CONNECTIONS

CONFIDENTIAL

BLUE BIRD CORPORATION
PORT WELLY, MISSISSAUGA, U.S.A.

DIAGRAM INSTL REAR PDU

0076671

0076671 EQ/RGR/RM, INSTL, BOX ASSY, REAR PDU M450 308213005555